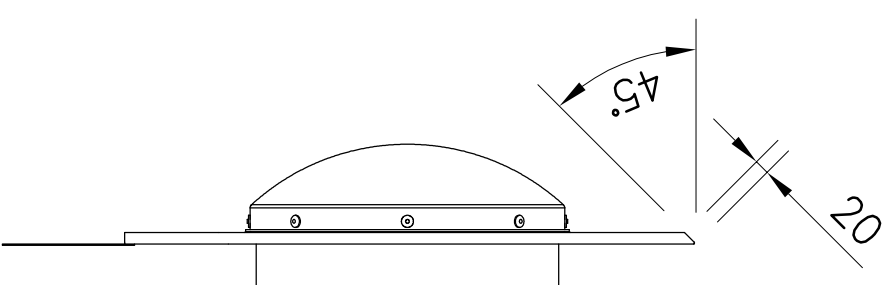
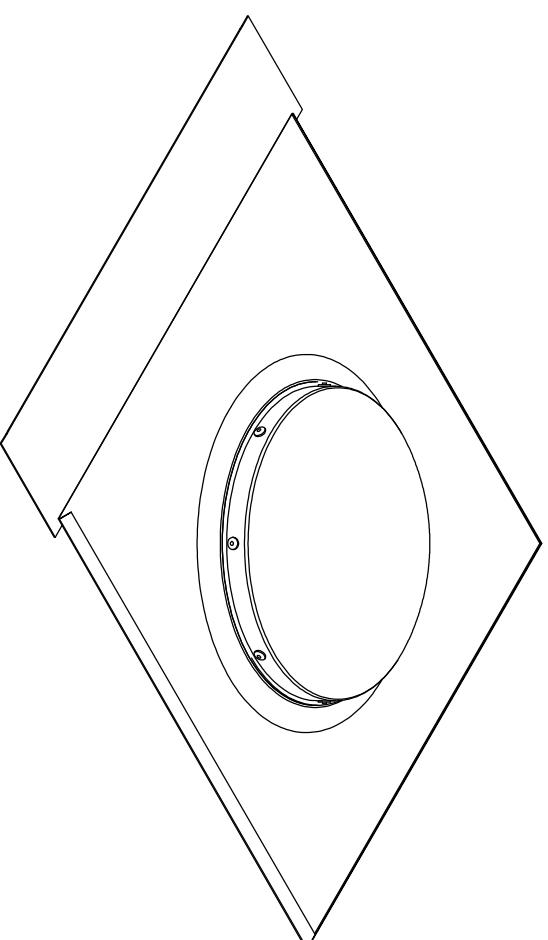


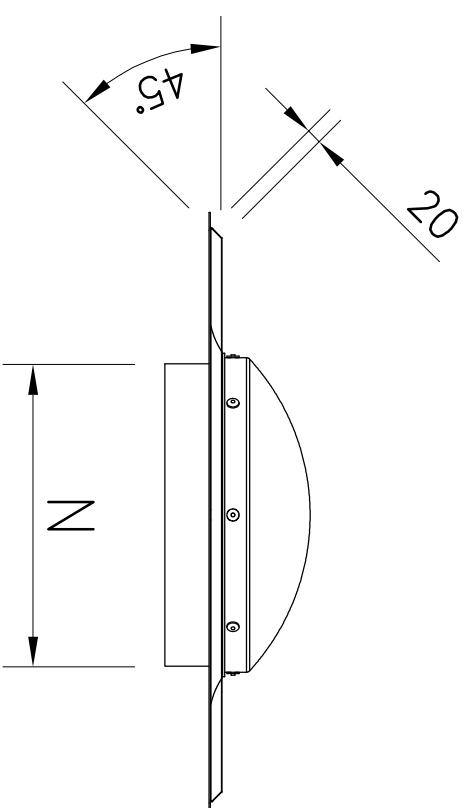
TOP VIEW



SIDE VIEW



ISOMETRIC VIEW



FRONT VIEW

**LEGEND:**  
 A = WIDTH  
 B = LENGTH  
 N = NOMINAL SIZE

TILE TUBULAR				
SKYSPAN PRODUCT CODE	A (mm)	B (mm)	NØ (mm)	VENTING SYSTEM
TL300TUFSSK	610	815	300	NO
TL400TUFSSK	710	915	400	NO
TL500TUFSSK	810	995	500	NO

DO NOT SCALE DRAWINGS, USE FIGURED DIMENSIONS



12 York Road,  
Newport  
© 2016 SkySpan  
All Rights Reserved.

Rev. Issue / Amendment  
 P1 ONLINE OVERVIEW

By App. Date  
 GF 15/07/16

Client

SKYSPAN

Project  
 ONLINE PRODUCT OVERVIEW

The  
 SUNPIPE TUBELIGHT  
 TILE ROOF PROFILE

Scale at A3  
 /  
 Date  
 15/07/16

Designed  
 GF

Job No.  
 006  
 Drawing No.  
 TLXXXTU  
 Amdt.  
 P1

Drawn  
 GF