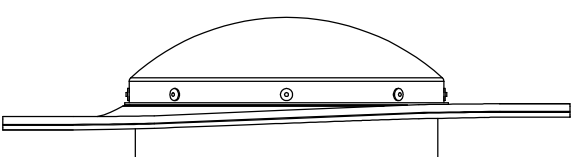
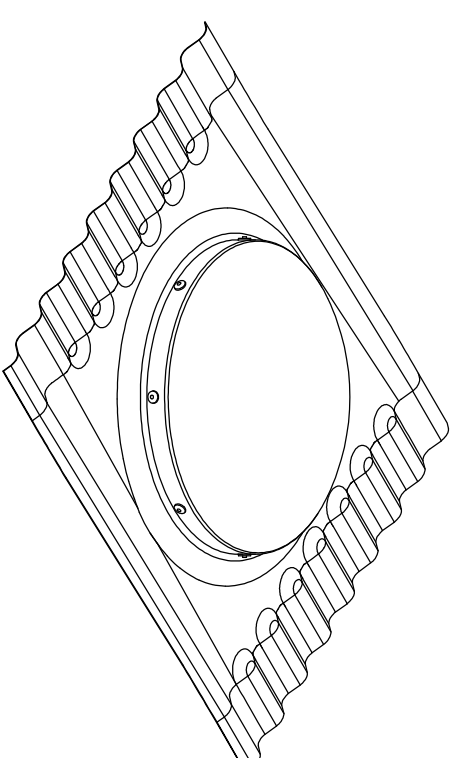


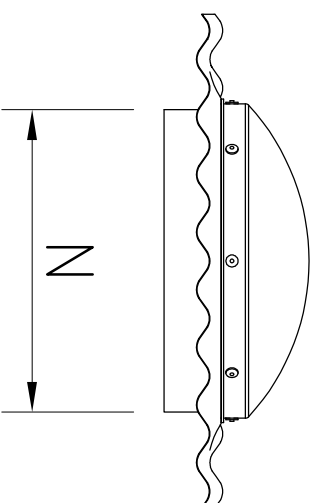
TOP VIEW



SIDE VIEW



ISOMETRIC VIEW



FRONT VIEW

LEGEND:
 A = WIDTH
 B = LENGTH
 N = NOMINAL SIZE

CORRUGATED PROFILE TUBULAR				
SKYSPAN PRODUCT CODE	A (mm)	B (mm)	NØ (mm)	VENTING SYSTEM
TL300CSFSK	585	650	300	NO
TL400CSFSK	653	750	400	NO
TL500CSFSK	735	850	500	NO

DO NOT SCALE DRAWINGS, USE FIGURED DIMENSIONS

Rev. Issue / Amendment
 P1 ONLINE OVERVIEW

By App. Date
 GF 15/07/16

Client

SKYSPAN

Project
 ONLINE PRODUCT OVERVIEW

The
 SUNPIPE TUBELIGHT
 CORRUGATED ROOF PROFILE



12 York Road,
 Newstead
 © 2016 SkySpan
 All Rights Reserved.

Copyright: THE DESIGN AND DETAILS SHOWN ON THIS DRAWING ARE SPECIFIC TO THIS PRODUCT ONLY, AND MAY NOT BE REPRODUCED IN WHOLE OR IN PART OR BE USED FOR ANY OTHER PROJECT OR PURPOSE WITHOUT THE WRITTEN CONSENT OF EVENT ENGINEERING PTY LTD.

Designed
 GF

Scale at A3

Date
 15/07/16

Drawn
 GF

Job No.
 006

Drawing No.
 TLXXCS

Amtd.
 P1