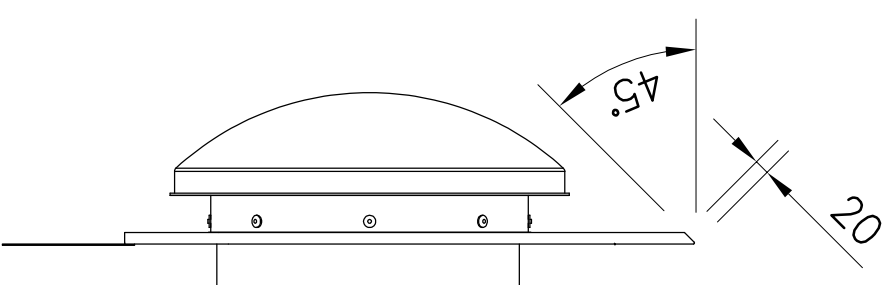
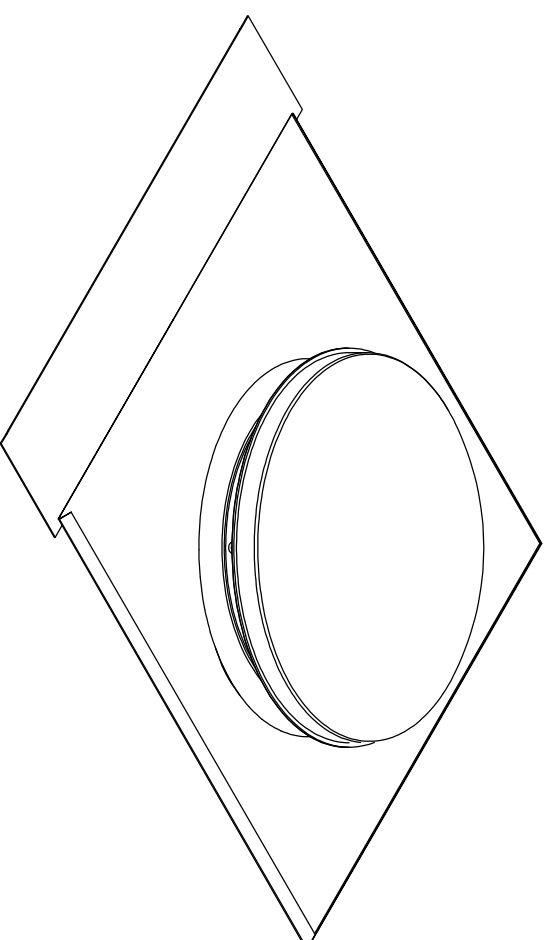


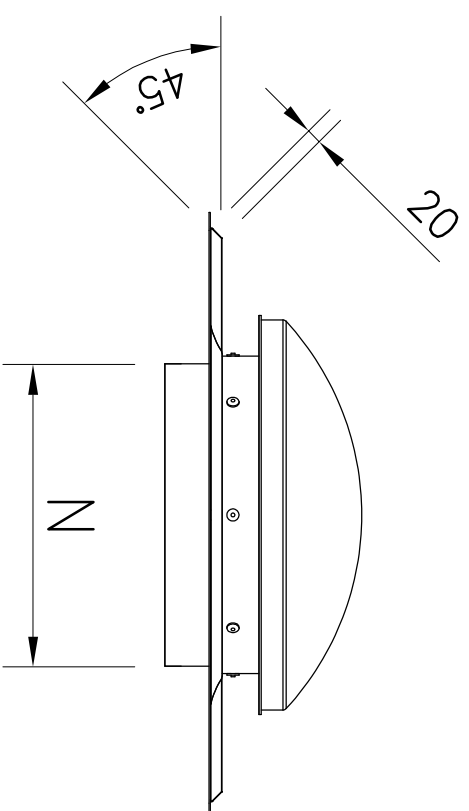
TOP VIEW



SIDE VIEW



ISOMETRIC VIEW



FRONT VIEW

VENTED – TILE TUBULAR				
SKYSPAN PRODUCT CODE	A (mm)	B (mm)	NØ (mm)	VENTING SYSTEM
TL400TUFSK	710	915	400	YES

DO NOT SCALE DRAWINGS, USE FIGURED DIMENSIONS

Rev. Issue / Amendment
P1 ONLINE OVERVIEW

By App. Date
GF 15/07/16

Client

SKYSPAN

Project
ONLINE PRODUCT OVERVIEW

The
SUNPIPE TUBELIGHT - VENTED
TILE ROOF PROFILE



12 York Road,
Newport
© 2016 SkySpan
All Rights Reserved.

COPYRIGHT: THE DESIGN AND DETAILS SHOWN ON THIS DRAWING ARE SPECIFIC TO THIS PRODUCT ONLY, AND MAY NOT BE REPRODUCED IN WHOLE OR IN PART OR BE USED FOR ANY OTHER PROJECT OR PURPOSE WITHOUT THE WRITTEN CONSENT OF EVENT ENGINEERING PTY LTD.

Designed
GF

Scale at A3

Date
15/07/16

Drawn
GF

Job No.
006

Drawing No.
TLVXXXTU P1