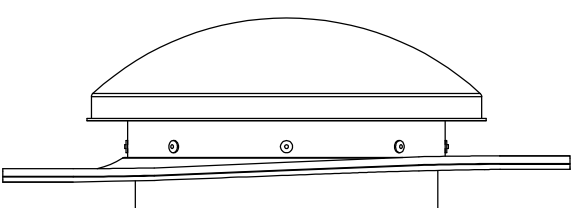
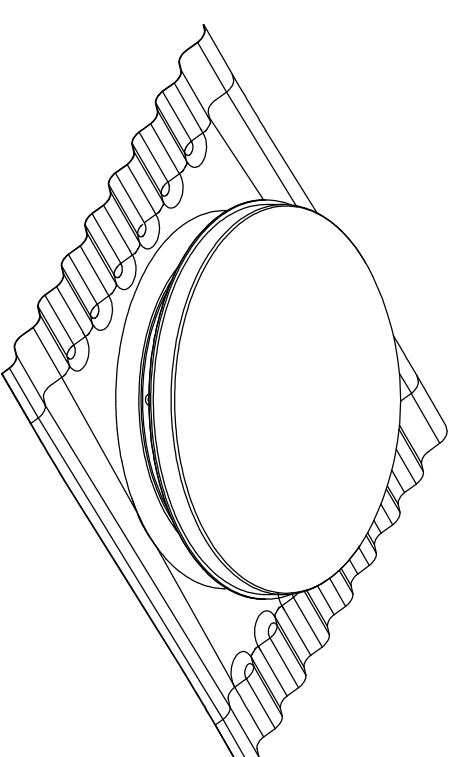


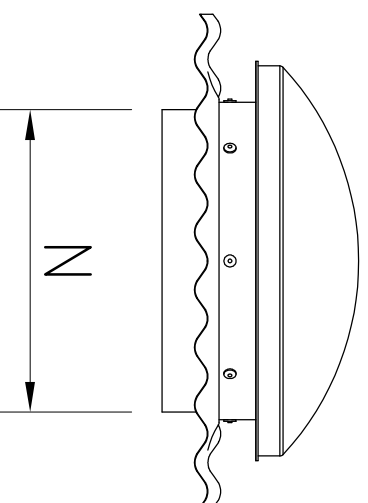
TOP VIEW



SIDE VIEW



ISOMETRIC VIEW



FRONT VIEW

LEGEND:
 A = WIDTH
 B = LENGTH
 N = NOMINAL SIZE

CORRUGATED PROFILE TUBULAR VENTED TUBRLIGHT				
SKYSPAN PRODUCT CODE	A (mm)	B (mm)	NØ (mm)	VENTING SYSTEM
TLV400CSFSK	653	750	400	YES

DO NOT SCALE DRAWINGS, USE FIGURED DIMENSIONS

Rev.	Issue / Amendment	By	App.	Date
P1	ONLINE OVERVIEW	GF		15/07/16

Client

SKYSPAN

Project

ONLINE PRODUCT OVERVIEW
 Title
 SUNPIPE TUBELIGHT
 VENTED
 CORRUGATED ROOF PROFILE

Designed

GF

Drawn

GF

Job No. 006

Drawing No. TLVXXXCS

Amdt. P1



12 Tully Road,
 Newstead
 © 2016 SkySpan
 All Rights Reserved.

COPYRIGHT: THE DESIGN AND DETAILS SHOWN ON THIS DRAWING ARE SPECIFIC TO THIS PRODUCT ONLY, AND MAY NOT BE REPRODUCED IN WHOLE OR IN PART OR BE USED FOR ANY OTHER PROJECT OR PURPOSE WITHOUT THE WRITTEN CONSENT OF EVENT ENGINEERING PTY LTD.