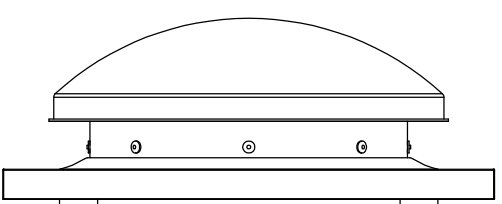
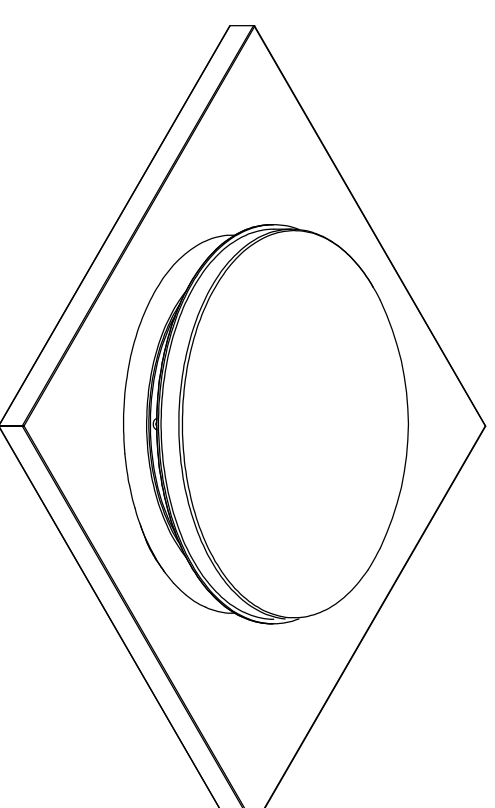


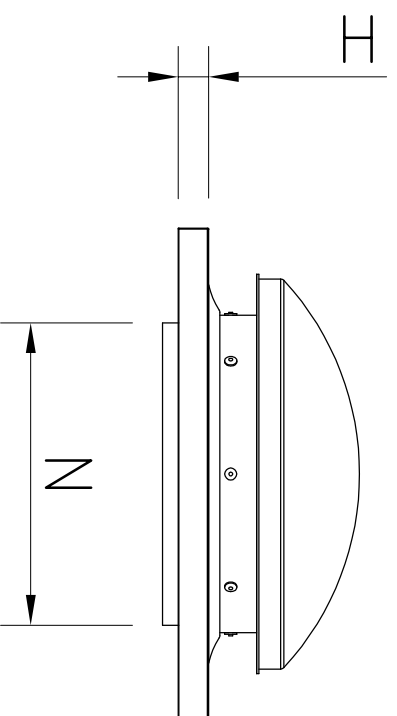
TOP VIEW



SIDE VIEW



ISOMETRIC VIEW



FRONT VIEW

LEGEND:
 A = WIDTH
 B = LENGTH
 H = HEIGHT
 N = NOMINAL SIZE

METAL DECK TUBULAR_KLIPLÖK ROOF PROFILE – VENTED TUBELIGHT					
SKYSPAN PRODUCT CODE	A (mm)	B (mm)	H (mm)	NØ (mm)	VENTING SYSTEM
TLV400AUF5K	650	650	40	400	YES

DO NOT SCALE DRAWINGS, USE FIGURED DIMENSIONS

Rev. Issue / Amendment
 P1 ONLINE OVERVIEW

By App. Date
 GF 15/07/16

Client

SKYSPAN

Project
 ONLINE PRODUCT OVERVIEW

The
 SUNPIPE TUBELIGHT - VENTED
 METAL DECK_KLIPLÖK_CLASSIC
 ROOF PROFILE

Designed

GF

Scale at A3

Date 15/07/16

Drawn

GF

Job No. 006

Drawing No. TLVXXXAU

Amtd. P1



12 York Road,
 New 244
 © 2016 SkySpan
 All Rights Reserved.

COPYRIGHT: THE DESIGN AND DETAILS SHOWN ON THIS DRAWING ARE SPECIFIC TO THIS PRODUCT ONLY, AND MAY NOT BE REPRODUCED IN WHOLE OR IN PART OR BE USED FOR ANY OTHER PROJECT OR PURPOSE WITHOUT THE WRITTEN CONSENT OF EVENT ENGINEERING PTY LTD.