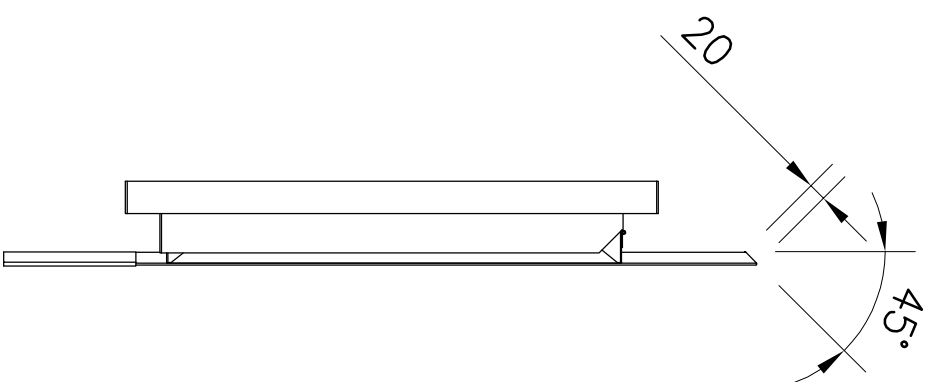
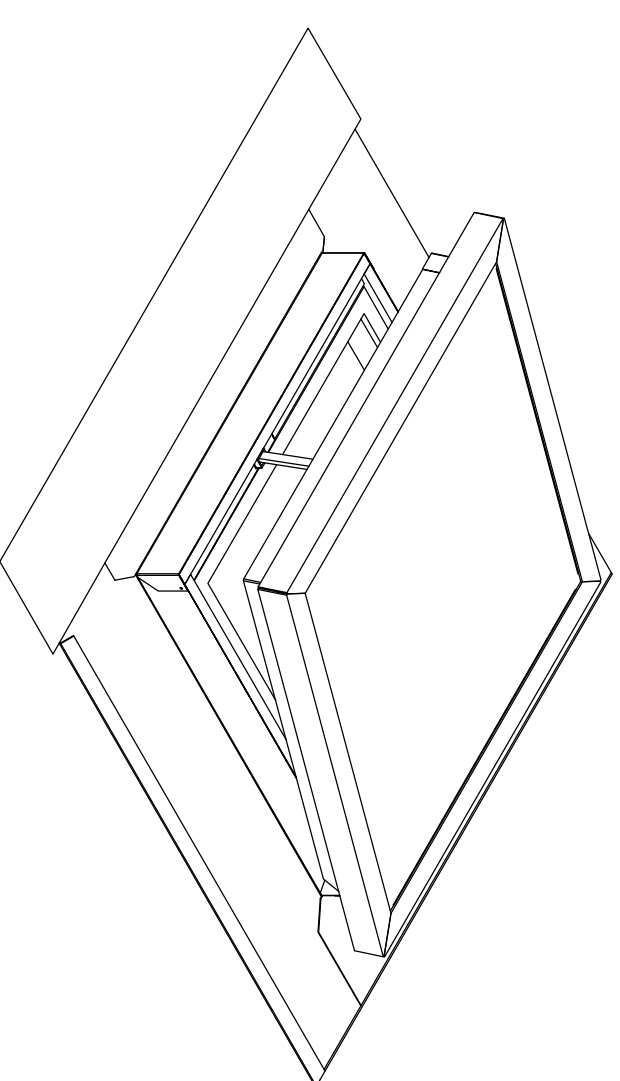


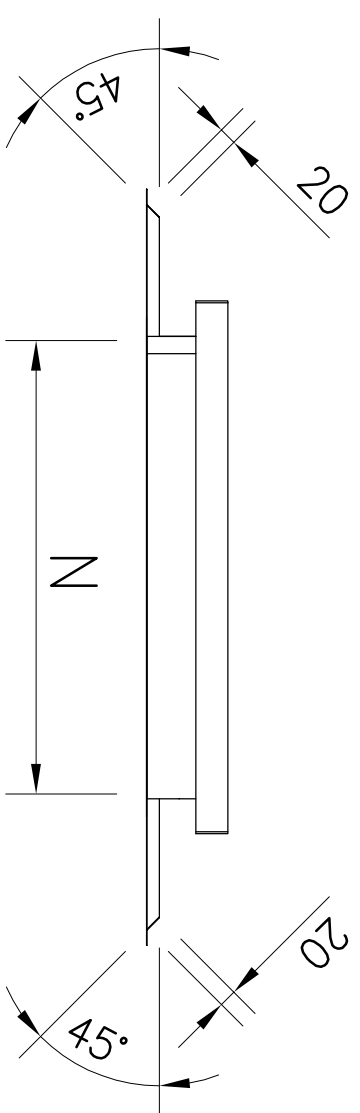
TOP VIEW



SIDE VIEW



ISOMETRIC VIEW



FRONT VIEW

**LEGEND:**  
 A = WIDTH  
 B = LENGTH  
 N = NOMINAL SIZE

SKYWINDOWS SQUARE tile roof type			
PRODUCT CODE	A (mm)	B (mm)	N (mm)
GSW500TU	860	900	500x500
GSW600TU	960	1000	600x600
GSW800TU	1160	1200	800x800
GSW900TU	1260	1300	900x900
GSW1000TU	1360	1400	1000x1000
GSW1200TU	1560	1600	1200x1200

SKYWINDOWS RECTANGULAR tile roof type			
PRODUCT CODE	A (mm)	B (mm)	N (mm)
GSW4080TU	760	1200	400x800
GSW40110TU	760	1500	400x1100
GSW5070TU	860	1100	500x700
GSW50110TU	860	1500	500x1100
GSW50140TU	860	1800	500x1400
GSW6090TU	960	1300	600x900
GSW80110TU	1160	1500	800x1100
GSW80140TU	1160	1800	800x1400

DO NOT SCALE DRAWINGS, USE FIGURED DIMENSIONS

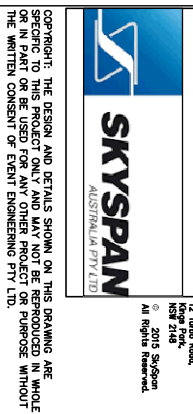
Rev. Issue / Amendment  
 P1 ONLINE OVERVIEW

By App. Date  
 GF 07/07/16

Client

SKYSPAN

Project  
 ONLINE PRODUCT OVERVIEW



Copyright. THE DESIGN AND DETAILS SHOWN ON THIS DRAWING ARE SPECIFIC TO THIS PROJECT ONLY AND MAY NOT BE REPRODUCED IN WHOLE OR IN PART OR BE USED FOR ANY OTHER PROJECT OR PURPOSE WITHOUT THE WRITTEN CONSENT OF ECHT ENGINEERING PTY LTD.

Title  
 SKYWINDOWS OPENING (W)  
 TILE ROOF PROFILE

Scale at A3  
 /  
 Job No. 0003  
 Date 07/07/16  
 Drawing No. GSWXXX(TU)  
 Drawn GF  
 Arndt. P1  
 Designed GF