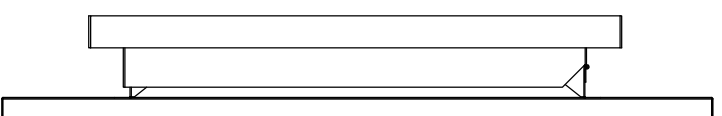
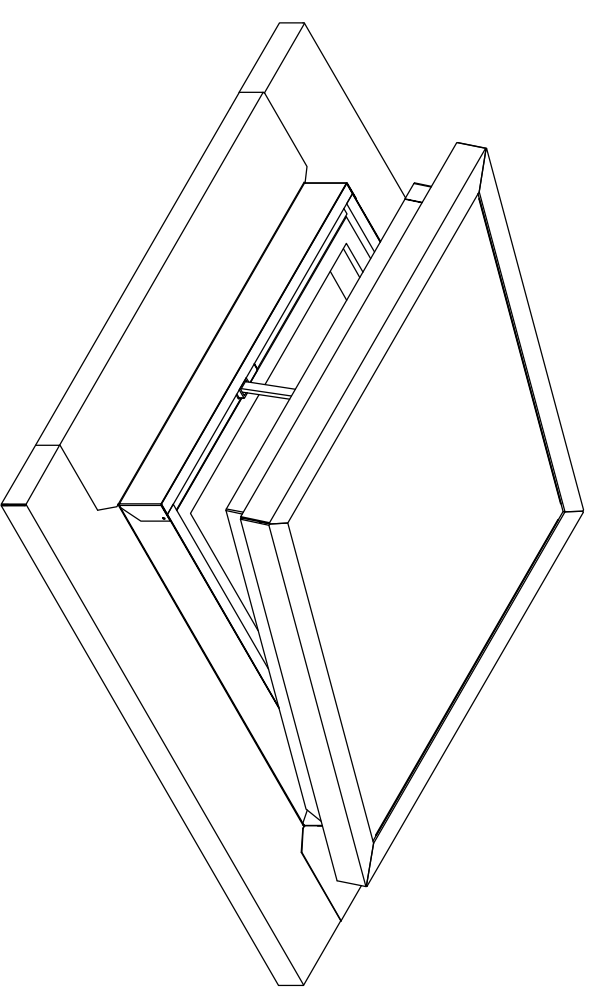


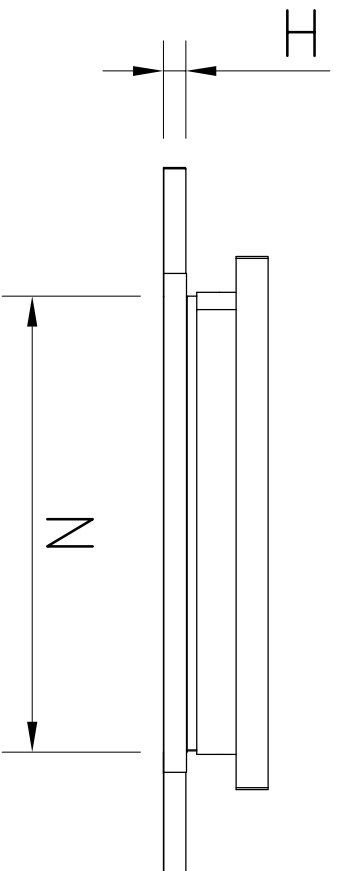
TOP VIEW



SIDE VIEW



ISOMETRIC VIEW



FRONT VIEW

LEGEND:
 A = WIDTH
 B = LENGTH
 H = HEIGHT
 N = NOMINAL SIZE

SKYWINDOWS SQUARE LYSAGHT TRIMDEK roof type				
PRODUCT CODE	A (mm)	B (mm)	H (mm)	N (mm)
GSW500AU	820	820	30	500x500
GSW600AU	920	920	30	600x600
GSW800AU	1120	1120	30	800x800
GSW900AU	1220	1220	30	900x900
GSW1000AU	1320	1320	30	1000x1000
GSW1200AU	1520	1520	30	1200x1200

SKYWINDOWS RECTANGULAR LYSAGHT TRIMDEK roof type				
PRODUCT CODE	A (mm)	B (mm)	H (mm)	N (mm)
GSW4080AU	720	1120	30	400x800
GSW40110AU	720	1420	30	400x1100
GSW5070AU	820	1020	30	500x700
GSW50110AU	820	1420	30	500x1100
GSW50140AU	820	1720	30	500x1400
GSW6090AU	920	1220	30	600x900
GSW80110AU	1120	1420	30	800x1100
GSW80140AU	1120	1720	30	800x1400

DO NOT SCALE DRAWINGS, USE FIGURED DIMENSIONS

Rev.	Issue / Amendment	By	App.	Date
P1	ONLINE OVERVIEW	GF		07/07/16

Client

SKYSPAN

Project

ONLINE PRODUCT OVERVIEW
 The SKYWINDOW OPENING (W)
 METAL DECK LYSAGHT TRIMDEK
 ROOF PROFILE

Designed

GF

Drawn

GF

Amtd.
P1



Copyright. THE DESIGN AND DETAILS SHOWN ON THIS DRAWING ARE SPECIFIC TO THIS PROJECT ONLY AND MAY NOT BE REPRODUCED IN WHOLE OR IN PART OR BE USED FOR ANY OTHER PROJECT OR PURPOSE WITHOUT THE WRITTEN CONSENT OF EXPERT ENGINEERING PTY LTD.

12 Tulse Road,
 Highgate
 © 2015 SkySpan
 All Rights Reserved

Scale of A3
 /
 Job No. 0003
 Drawing No. GSWXXX(AU)
 Date 07/07/16
 Amtd. P1