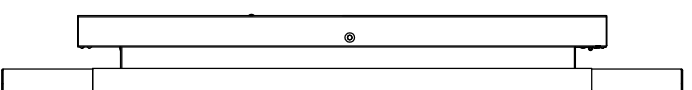
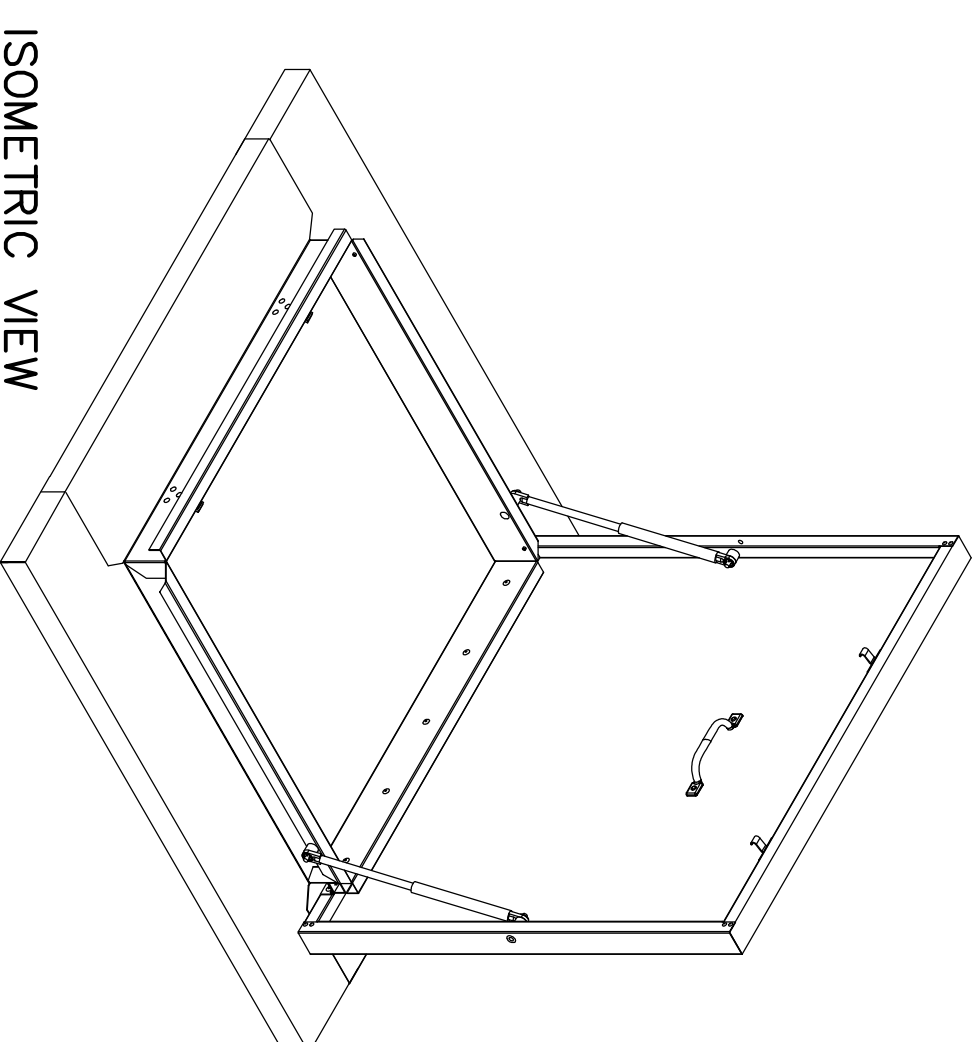


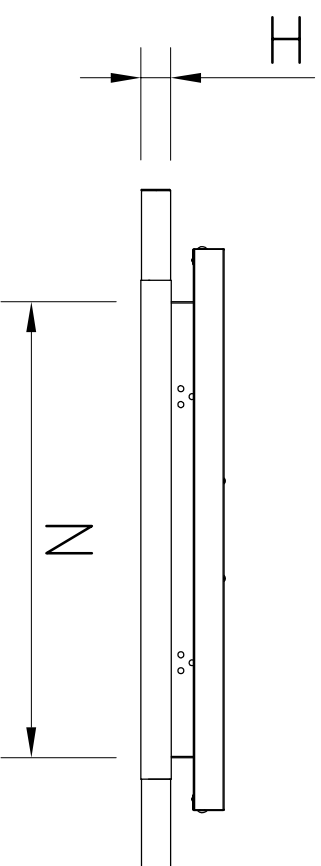
TOP VIEW



SIDE VIEW



ISOMETRIC VIEW



FRONT VIEW

**LEGEND:**  
 A = WIDTH  
 B = LENGTH  
 H = HEIGHT  
 N = NOMINAL SIZE

METAL HATCH SQUARE KLIPLOK_CLASSIC roof type				
PRODUCT CODE	A (mm)	B (mm)	H (mm)	N (mm)
MH600AU	900	900	40	600x600
MH800AU	1100	1100	40	800x800
MH900AU	1200	1200	40	900x900
MH1000AU	1300	1300	40	1000x1000

METAL HATCH RECTANGULAR KLIPLOK_CLASSIC roof type				
PRODUCT CODE	A (mm)	B (mm)	H (mm)	N (mm)
MH5070AU	800	1000	40	500x700
MH50110AU	800	1400	40	500x1100
MH6090AU	900	1200	40	600x900
MH60120AU	900	1500	40	600x1200
MH80110AU	1100	1400	40	800x1100
MH90120AU	1200	1500	40	900x1200

DO NOT SCALE DRAWINGS. USE FIGURED DIMENSIONS



Copyright. THE DESIGN AND DETAILS SHOWN ON THIS DRAWING ARE SPECIFIC TO THIS PROJECT ONLY AND MAY NOT BE REPRODUCED IN WHOLE OR IN PART OR BE USED FOR ANY OTHER PROJECT OR PURPOSE WITHOUT THE WRITTEN CONSENT OF EXPENT ENGINEERING PTY LTD.

Rev. Issue / Amendment  
 Pt ONLINE OVERVIEW

By App. Date  
 GF 30/06/16

Client

SKYSPAN

Project  
 ONLINE PRODUCT OVERVIEW

The  
 METAL HATCH (MH)  
 METAL DECK\_KLIPLOK\_CLASSIC  
 ROOF PROFILE

Designed

GF

Scale at A3 Date 30/06/16 Drawn GF

Job No. 0002 Drawing No. MHXXX(AU) Amdt. P1