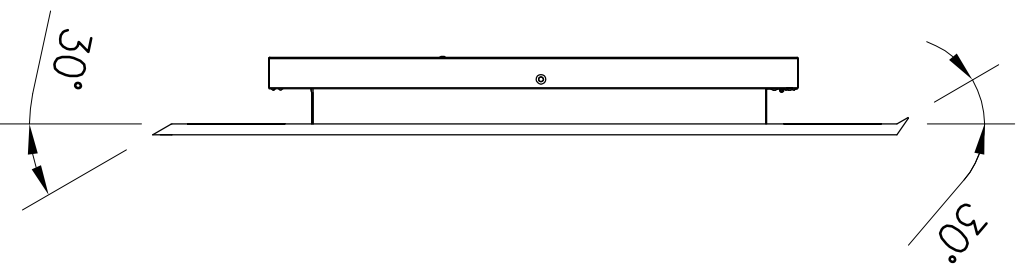
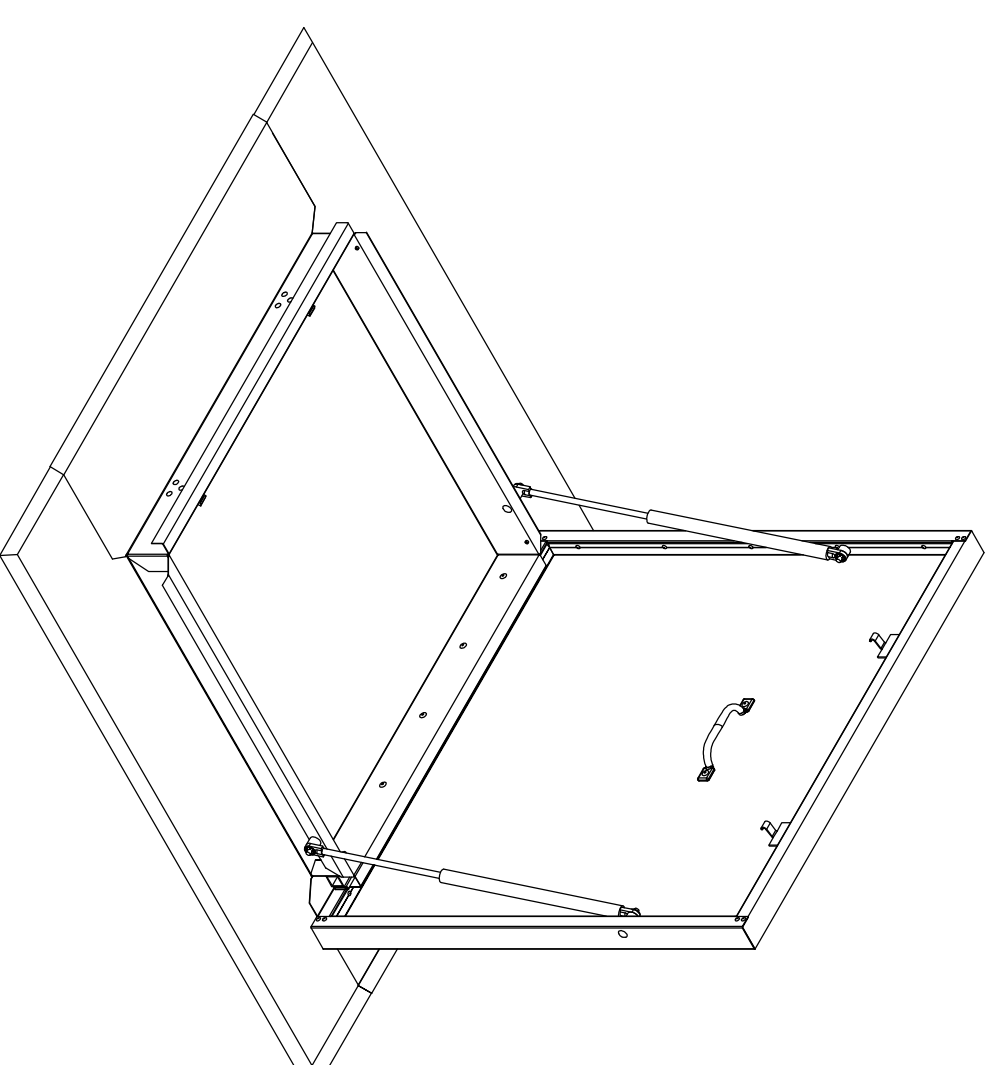


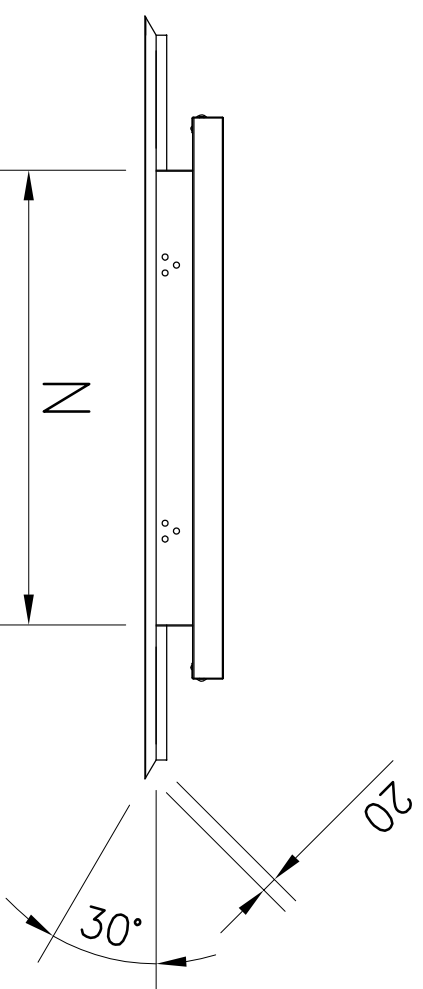
TOP VIEW



SIDE VIEW



ISOMETRIC VIEW



FRONT VIEW

LEGEND:
 A = WIDTH
 B = LENGTH
 N = NOMINAL SIZE

METAL HATCH DOUBLE SKIN SQUARE corrugated roof type			
PRODUCT CODE	A (mm)	B (mm)	N (mm)
MHD600CT	960	960	600x600
MHD800CT	1160	1160	800x800
MHD900CT	1260	1260	900x900
MHD1000CT	1360	1360	1000x1000

METAL HATCH DOUBLE SKIN RECTANGULAR corrugated roof type			
PRODUCT CODE	A (mm)	B (mm)	N (mm)
MHD5070CT	860	1060	500x700
MHD50110CT	860	1460	500x1100
MHD6090CT	960	1260	600x900
MHD60120CT	960	1560	600x1200
MHD80110CT	1160	1460	800x1100
MHD90120CT	1260	1560	900x1200

DO NOT SCALE DRAWINGS, USE FIGURED DIMENSIONS

Rev. Issue / Amendment
 P1 ONLINE OVERVIEW

By App. Date
 GF 25/05/16

Client

SKYSPAN

Project
 ONLINE PRODUCT OVERVIEW

Title
 METAL HATCH DOUBLE SKIN (MHD)
 CORRUGATED ROOF TYPE

Designed

GF

Scale at A3

Date
 30/06/16

Drawn

GF

Job No.

0002

Drawing No.

MHDXX(CT)

Amtd.

P1

SKYSPAN
 AUSTRALIA PTY LTD

12 Tapp Road,
 Hill Top
 NSW 2416
 © 2015 Skyspan
 All Rights Reserved

COPYRIGHT: THE DESIGN AND DETAILS SHOWN ON THIS DRAWING ARE SPECIFIC TO THIS PROJECT ONLY AND MAY NOT BE REPRODUCED IN WHOLE OR IN PART OR BE USED FOR ANY OTHER PROJECT OR PURPOSE WITHOUT THE WRITTEN CONSENT OF EXPERT ENGINEERING PTY LTD.