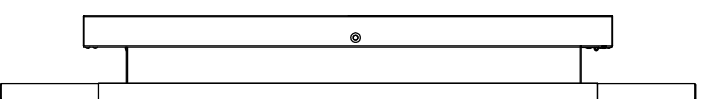
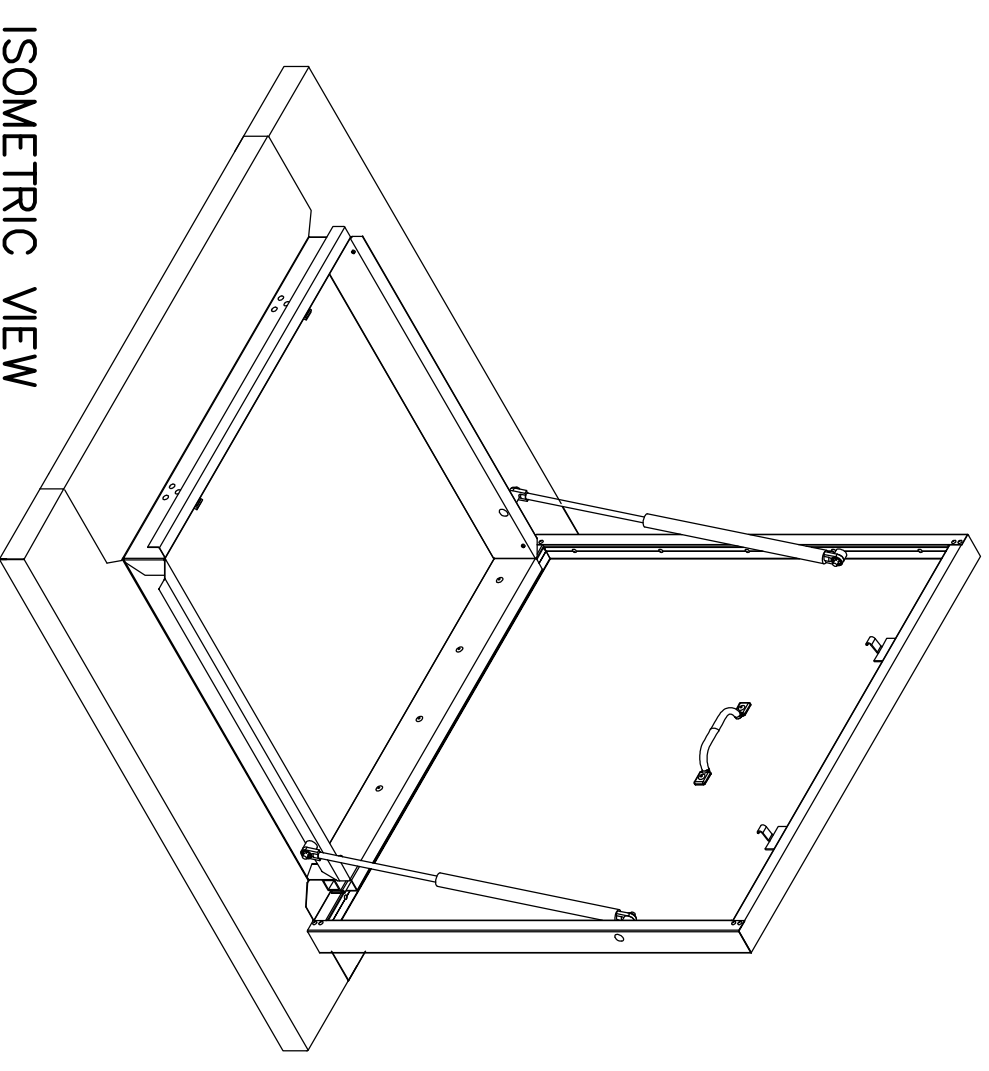


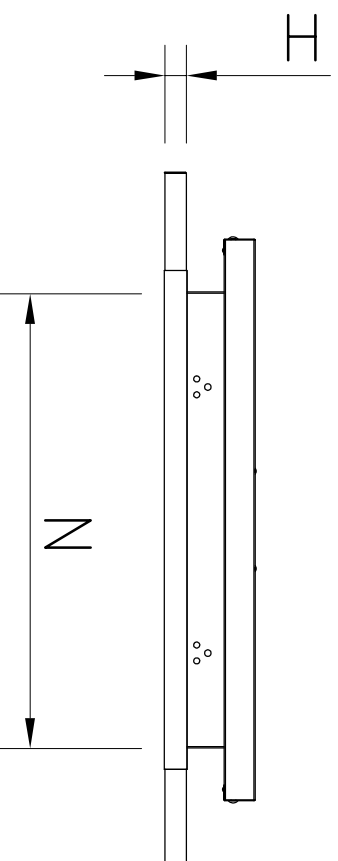
TOP VIEW



SIDE VIEW



ISOMETRIC VIEW



FRONT VIEW

LEGEND:

- A= WIDTH
- B= LENGTH
- H= HEIGHT
- N= NOMINAL SIZE

| METAL HATCH SQUARE DOUBLE SKIN LYSAGHT TRIMDEK roof type | | | | |
|---|--------|--------|--------|-----------|
| PRODUCT CODE | A (mm) | B (mm) | H (mm) | N (mm) |
| MHD600AU | 920 | 920 | 30 | 600x600 |
| MHD800AU | 1120 | 1120 | 30 | 800x800 |
| MHD900AU | 1220 | 1220 | 30 | 900x900 |
| MHD1000AU | 1320 | 1320 | 30 | 1000x1000 |

| METAL HATCH RECTANGULAR DOUBLE SKIN LYSAGHT TRIMDEK roof type | | | | |
|--|--------|--------|--------|----------|
| PRODUCT CODE | A (mm) | B (mm) | H (mm) | N (mm) |
| MHD5070AU | 820 | 1020 | 30 | 500x700 |
| MHD50110AU | 820 | 1420 | 30 | 500x1100 |
| MHD6090AU | 920 | 1220 | 30 | 600x900 |
| MHD60120AU | 920 | 1520 | 30 | 600x1200 |
| MHD80110AU | 1120 | 1420 | 30 | 800x1100 |
| MHD90120AU | 1220 | 1520 | 30 | 900x1200 |

DO NOT SCALE DRAWINGS. USE FIGURED DIMENSIONS



Copyright. THE DESIGN AND DETAILS SHOWN ON THIS DRAWING ARE SPECIFIC TO THIS PROJECT ONLY AND MAY NOT BE REPRODUCED IN WHOLE OR IN PART OR BE USED FOR ANY OTHER PROJECT OR PURPOSE WITHOUT THE WRITTEN CONSENT OF EXPERT ENGINEERING PTY LTD.

| Rev. | Issue / Amendment | By | App. | Date |
|------|-------------------|----|------|----------|
| P1 | ONLINE OVERVIEW | GF | | 30/06/16 |

Client

SKYSPAN

Project

ONLINE PRODUCT OVERVIEW
The METAL HATCH DOUBLE SKIN(MHD) METAL DECK_LYSAGHT TRIMDEK ROOF PROFILE

Designed
GF

Drawn
GF

Amtd.
P1

Scale at A3
Date
30/06/16

Job No.
0002
Drawing No.
MHDXXX(AU)