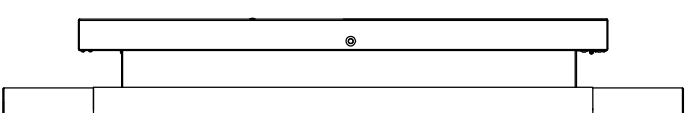
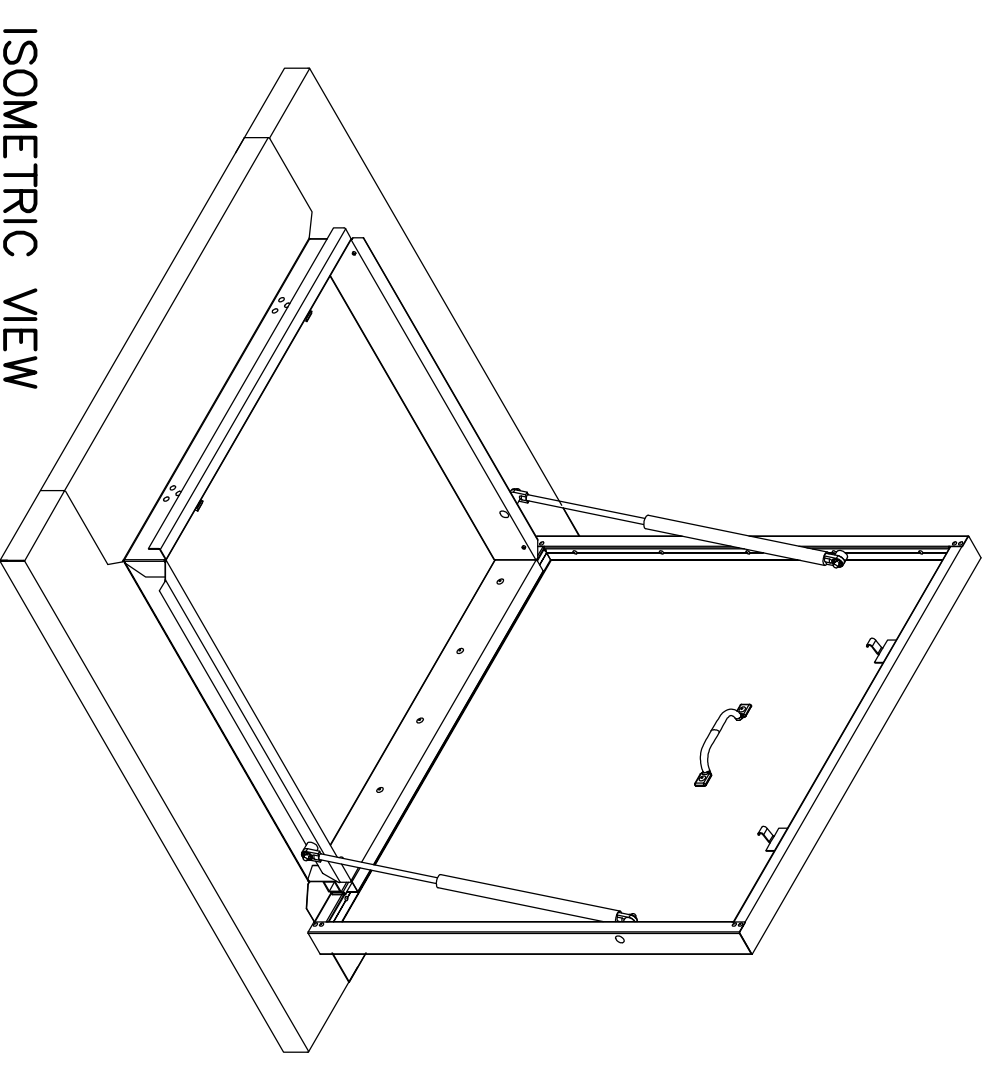


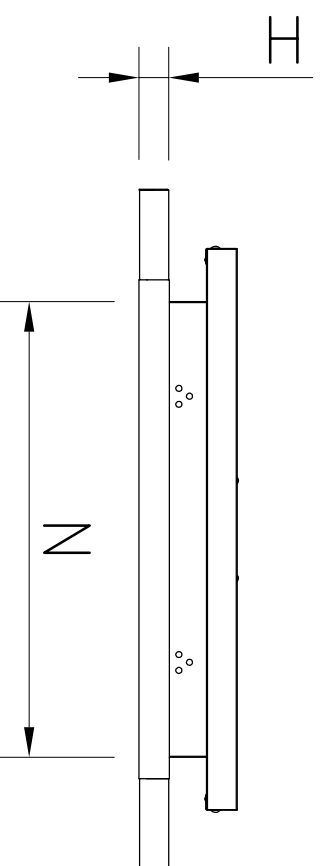
TOP VIEW



SIDE VIEW



ISOMETRIC VIEW



FRONT VIEW

LEGEND:
 A = WIDTH
 B = LENGTH
 H = HEIGHT
 N = NOMINAL SIZE

METAL HATCH SQUARE DOUBLE SKIN KLIPILOK_CLASSIC roof type				
PRODUCT CODE	A (mm)	B (mm)	H (mm)	N (mm)
MHD600AU	900	900	40	600x600
MHD800AU	1100	1100	40	800x800
MHD900AU	1200	1200	40	900x900
MHD1000AU	1300	1300	40	1000x1000

METAL HATCH RECTANGULAR DOUBLE SKIN KLIPILOK_CLASSIC roof type				
PRODUCT CODE	A (mm)	B (mm)	H (mm)	N (mm)
MHD5070AU	800	1000	40	500x700
MHD50110AU	800	1400	40	500x1100
MHD6090AU	900	1200	40	600x900
MHD60120AU	900	1500	40	600x1200
MHD80110AU	1100	1400	40	800x1100
MHD90120AU	1200	1500	40	900x1200

DO NOT SCALE DRAWINGS, USE FIGURED DIMENSIONS

Rev. Issue / Amendment
 Pt ONLINE OVERVIEW
 By App. Date
 GF 30/06/16

Client

SKYSPAN

Project
 ONLINE PRODUCT OVERVIEW

The
 METAL HATCH DOUBLE SKIN (MHD)
 METAL DECK_KLIPILOK_CLASSIC
 ROOF PROFILE

Designed

GF

Scale at A3 Date Drawn
 / 30/06/16 GF

Job No. Drawing No. Amdt.
 0002 MHDXXX(AU) P1



12 Tingo Road,
 Hill Top
 © 2015 Skyspan
 All Rights Reserved

Copyright. THE DESIGN AND DETAILS SHOWN ON THIS DRAWING ARE SPECIFIC TO THIS PROJECT ONLY AND MAY NOT BE REPRODUCED IN WHOLE OR IN PART OR BE USED FOR ANY OTHER PROJECT OR PURPOSE WITHOUT THE WRITTEN CONSENT OF EXPERT ENGINEERING PTY LTD.