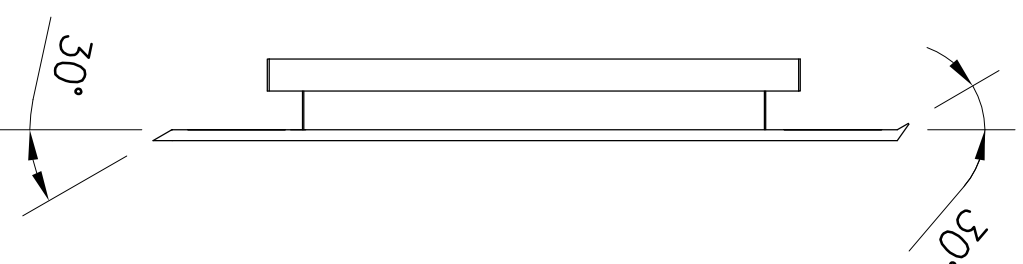
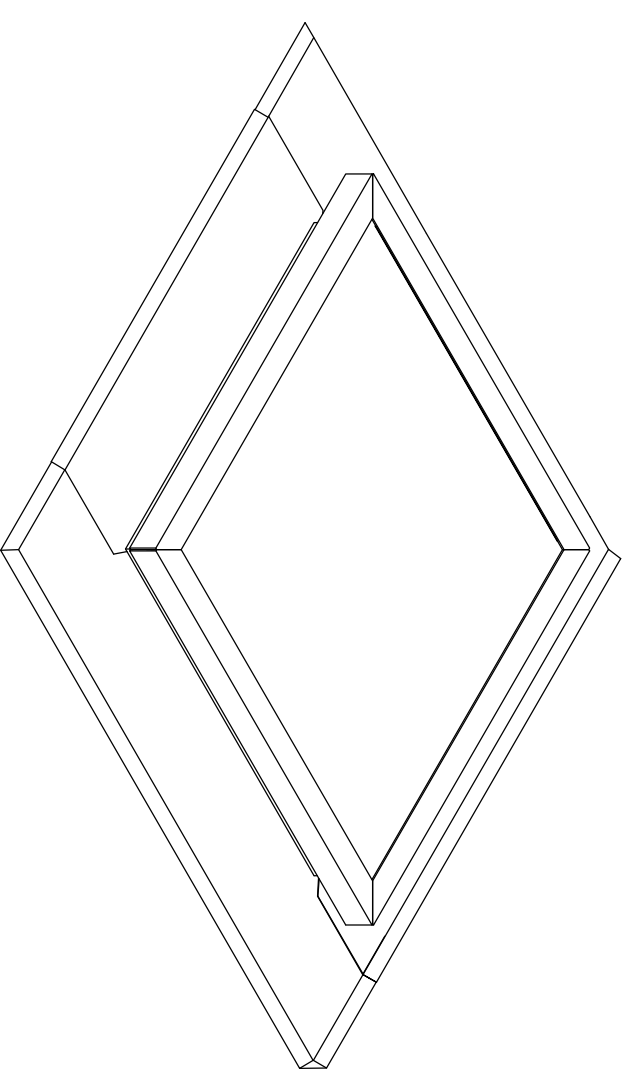


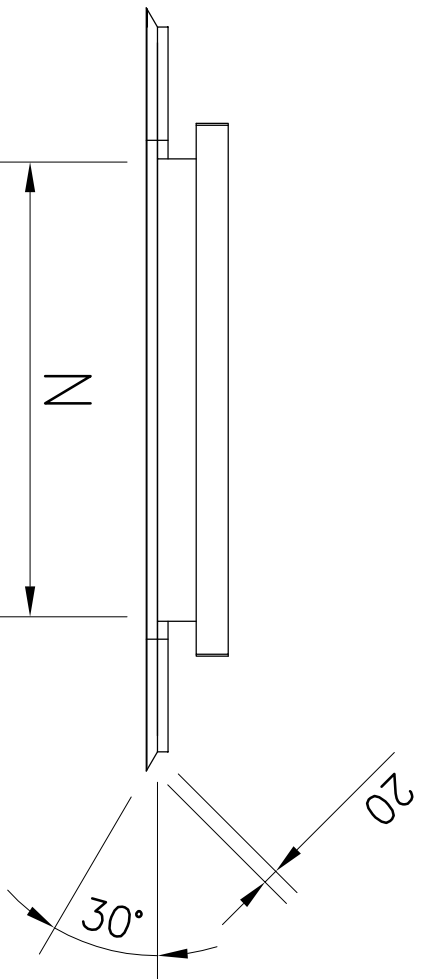
TOP VIEW



SIDE VIEW



ISOMETRIC VIEW



FRONT VIEW

LEGEND:
 A = WIDTH
 B = LENGTH
 N = NOMINAL SIZE

SKYWINDOWS SQUARE corrugated roof type			
PRODUCT CODE	A (mm)	B (mm)	N (mm)
GSL500CT	860	860	500x500
GSL600CT	960	960	600x600
GSL800CT	1160	1160	800x800
GSL900CT	1260	1260	900x900
GSL1000CT	1360	1360	1000x1000
GSL1200CT	1560	1560	1200x1200

SKYWINDOWS RECTANGULAR corrugated roof type			
PRODUCT CODE	A (mm)	B (mm)	N (mm)
GSL4080CT	760	1160	400x800
GSL40110CT	760	1460	400x1100
GSL5070CT	860	1060	500x700
GSL50110CT	860	1460	500x1100
GSL50140CT	860	1760	500x1400
GSL6090CT	960	1260	600x900
GSL80110CT	1160	1460	800x1100
GSL80140CT	1160	1760	800x1400

DO NOT SCALE DRAWINGS, USE FIGURED DIMENSIONS

Rev. Issue / Amendment
 P1 ONLINE OVERVIEW

By App. Date
 GF 07/07/16

Client

SKYSPAN

Project
 ONLINE PRODUCT OVERVIEW

Title
 SKYWINDOWS FIXED (L)
 CORRUGATED ROOF TYPE

Designed

GF

Scale at A3

Date
 07/07/16

Drawn

GF

Job No.

0003

Drawing No.
 GSLXX(CT)

Amtd.
 P1



© 2015 SkySpan
 All Rights Reserved.
 12 Tully Road,
 Hill Top, Vic
 3745
 Australia

Copyright: THE DESIGN AND DETAILS SHOWN ON THIS DRAWING ARE SPECIFIC TO THIS PROJECT ONLY AND MAY NOT BE REPRODUCED IN WHOLE OR IN PART OR BE USED FOR ANY OTHER PROJECT OR PURPOSE WITHOUT THE WRITTEN CONSENT OF EXPERT ENGINEERING PTY LTD.