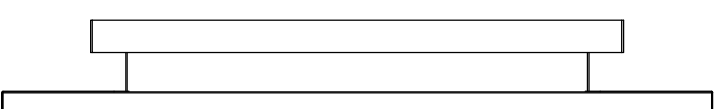
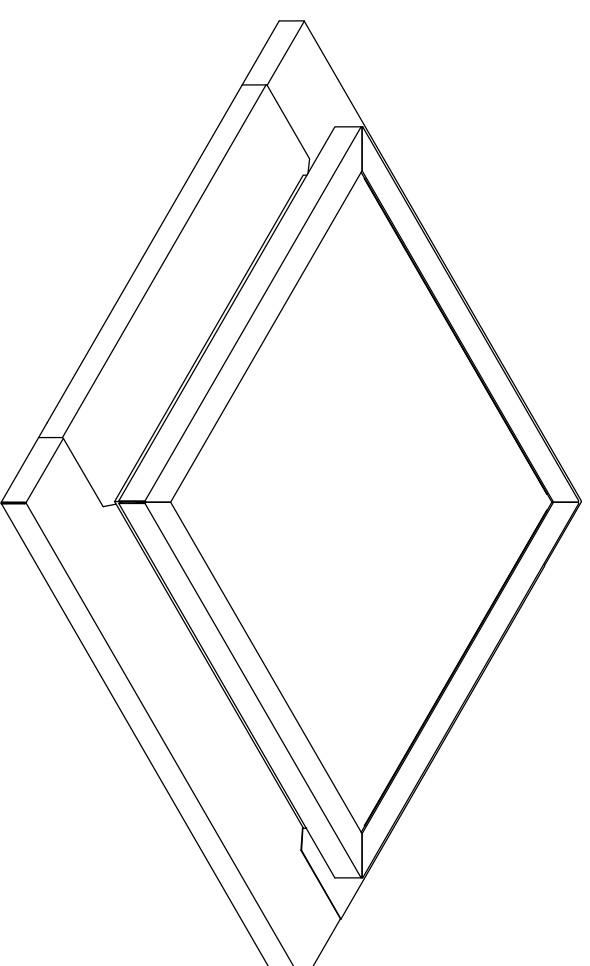


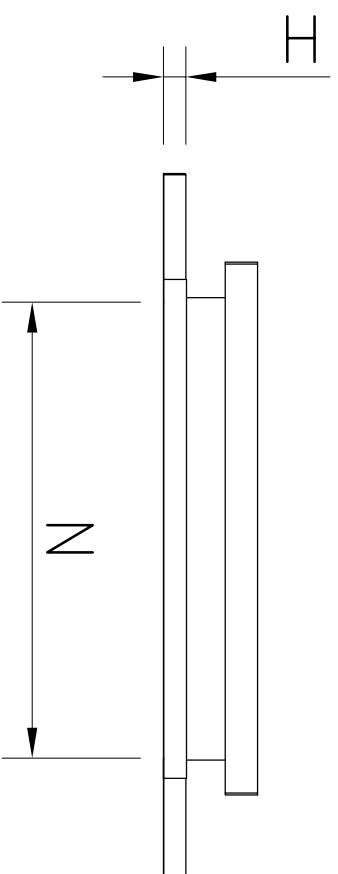
TOP VIEW



SIDE VIEW



ISOMETRIC VIEW



FRONT VIEW

LEGEND:
 A = WIDTH
 B = LENGTH
 H = HEIGHT
 N = NOMINAL SIZE

SKYWINDOWS SQUARE LYSAGHT TRIMDEK roof type				
PRODUCT CODE	A (mm)	B (mm)	H (mm)	N (mm)
GSL500AU	820	820	30	500x500
GSL600AU	920	920	30	600x600
GSL800AU	1120	1120	30	800x800
GSL900AU	1220	1220	30	900x900
GSL1000AU	1320	1320	30	1000x1000
GSL1200AU	1520	1520	30	1200x1200

SKYWINDOWS RECTANGULAR LYSAGHT TRIMDEK roof type				
PRODUCT CODE	A (mm)	B (mm)	H (mm)	N (mm)
GSL4080AU	720	1120	30	400x800
GSL40110AU	720	1420	30	400x1100
GSL5070AU	820	1020	30	500x700
GSL50110AU	820	1420	30	500x1100
GSL50140AU	820	1720	30	500x1400
GSL6090AU	920	1220	30	600x900
GSL80110AU	1120	1420	30	800x1100
GSL80140AU	1120	1720	30	800x1400

DO NOT SCALE DRAWINGS, USE FIGURED DIMENSIONS

Rev. Issue / Amendment
 P1 ONLINE OVERVIEW

By App. Date
 GF 07/07/16

Client

SKYSPAN

Project
 ONLINE PRODUCT OVERVIEW

The SKYWINDOW FIXED (L)
 METAL DECK_LYSAGHT TRIMDEK
 ROOF PROFILE

Designed
 GF

Scale of A3 Date Drawn
 / 07/07/16 GF

Job No. Drawing No. Amdt.
 0003 GSLXXX(AU) P1



12 Tingo Road,
 Hill Top
 © 2015 SkySpan
 All Rights Reserved

Copyright. The design and details shown on this drawing are specific to this project only and may not be reproduced in whole or in part or be used for any other project or purpose without the written consent of ECHT ENGINEERING PTY LTD.