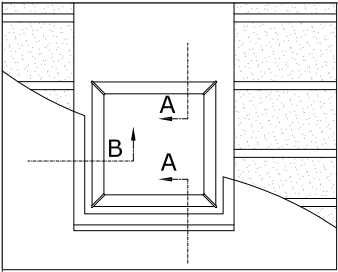
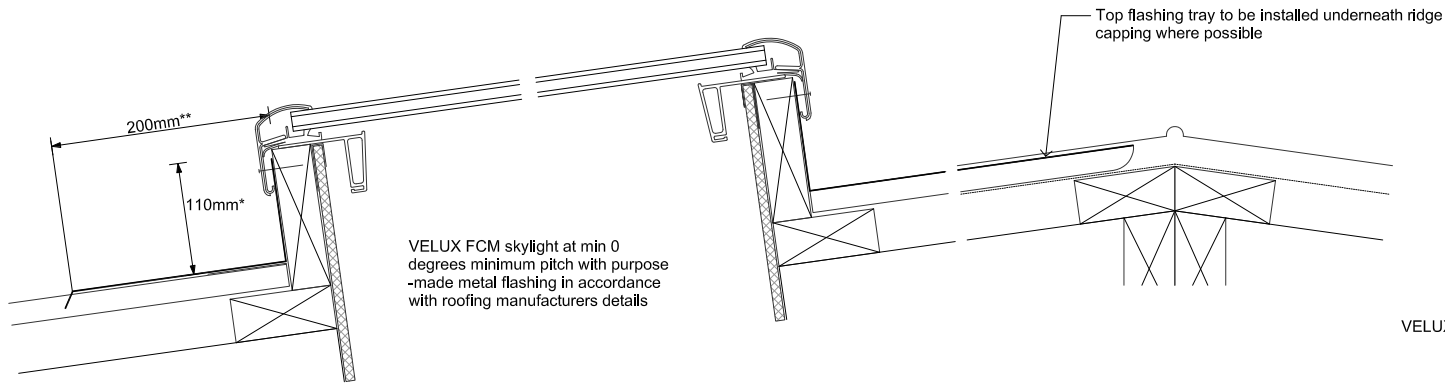


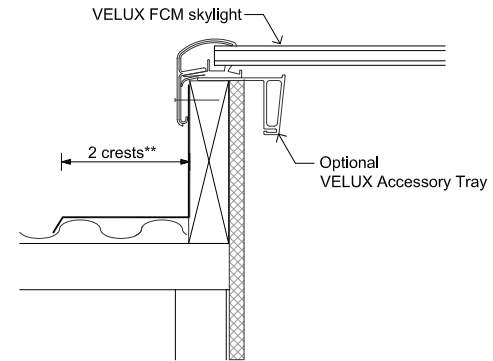
Please note:
Below 15 degrees:
- Any condensation that forms on the glass due to high humidity may drip



ELEVATION



SECTION A-A



SECTION B-B

* The upstand shall be in accordance with the minimum requirements as set out in the Approved Document for relevant building code

** All flashings for FCM skylights are to be purpose-made to suit the roofing material, and subject to Approved Document for relevant building code

PRODUCT DIMENSIONS							
METRIC UNITS (MILLIMETERS)							
SIZE	OUTSIDE CURB WIDTH	MAXIMUM FLASHING WIDTH	SKYLIGHT WIDTH	OUTSIDE CURB HEIGHT	MAXIMUM FLASHING HEIGHT	SKYLIGHT HEIGHT	DAYLIGHT AREA (SQ. M)
1430	445	480	486	851	870	892	0.29
1446	445	480	486	1257	1275	1299	0.43
2222	648	665	689	648	665	689	0.33
2230	648	665	689	851	870	892	0.44
2234	648	665	689	952	970	994	0.50
2246	648	665	689	1257	1275	1299	0.68
2270	648	665	689	1867	1885	1906	1.02
3030	851	870	892	851	870	892	0.80
3046	851	870	892	1257	1275	1299	0.92
3434	952	970	994	952	970	994	0.77
4646	1257	1275	1299	1257	1275	1299	1.39

	AUSTRALIA PTY. LTD +612 8565 6000 Sky-Product Management	Drawn by	Name	Date
		Checked by		June 2014
FCM - Fixed Skylight with Wood Curb in Profiled Metal Roof (pitch <15 degrees)		Drawing No.		June 2014