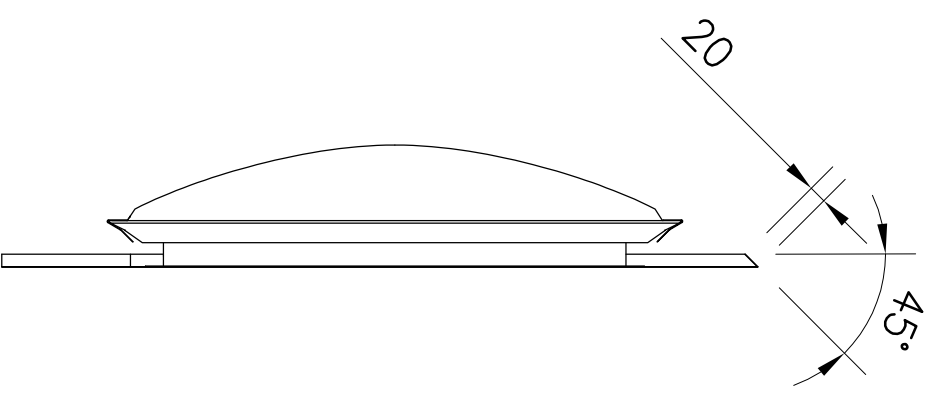
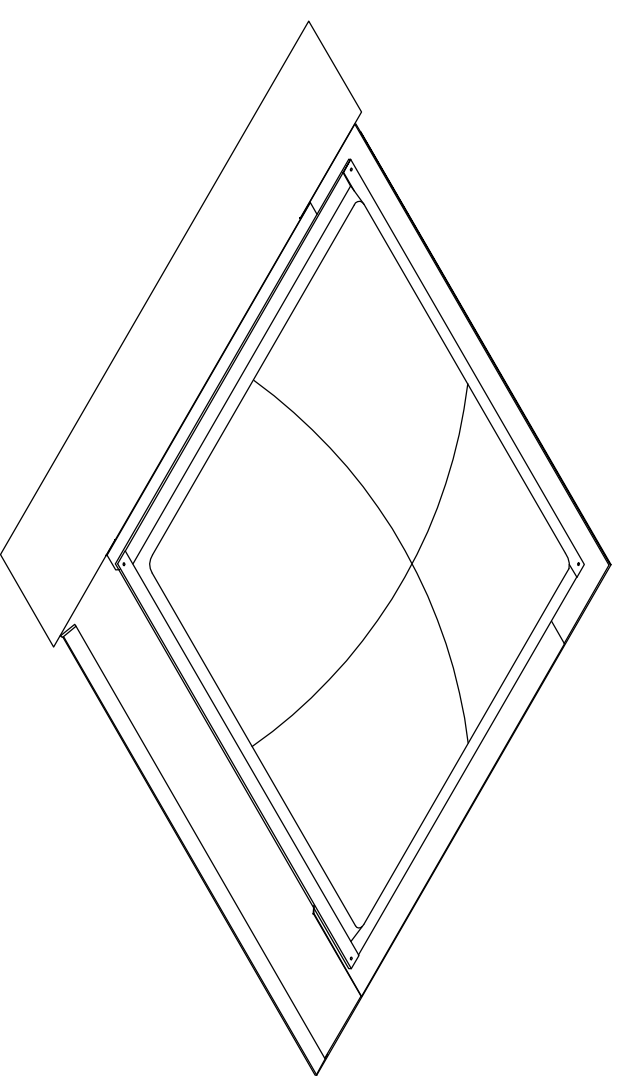


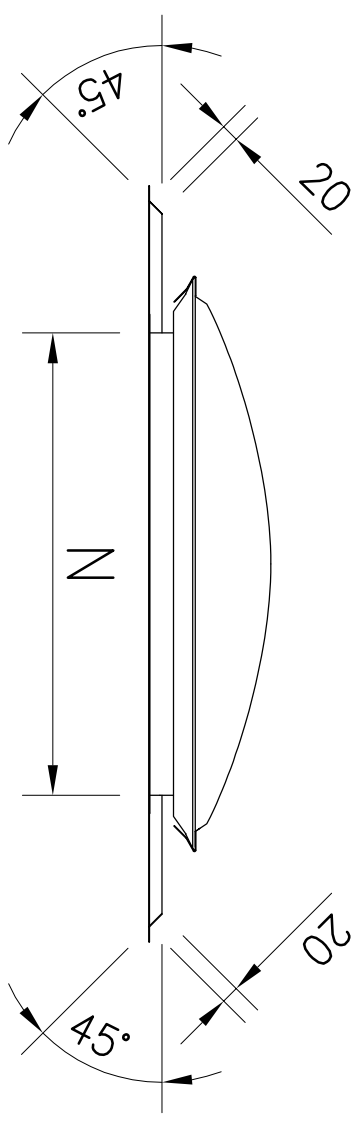
TOP VIEW



LEFT VIEW



ISOMETRIC VIEW



FRONT VIEW

LEGEND:
 A = WIDTH
 B = LENGTH
 N = NOMINAL SIZE

TRADITIONAL SKYLIGHT SQUARE tile roof type			
PRODUCT CODE	A (mm)	B (mm)	N (mm)
SL(V)400TU	760	800	400x400
SL(V)500TU	860	900	500x500
SL(V)600TU	960	1000	600x600
SL(V)800TU	1160	1200	800x800
SL(V)900TU	1260	1300	900x900
SL(V)1000TU	1360	1400	1000x1000
SL(V)1100TU	1460	1500	1100x1100
SL(V)1200TU	1560	1600	1200x1200

TRADITIONAL SKYLIGHT RECTANGULAR tile roof type			
PRODUCT CODE	A (mm)	B (mm)	N (mm)
SL(V)4080TU	760	1200	400x800
SL(V)5070TU	860	1100	500x700
SL(V)50110TU	860	1500	500x1100
SL(V)4060TU	760	1000	400x600
SL(V)40110TU	760	1500	400x1100
SL(V)6090TU	960	1300	600x900
SL(V)60120TU	960	1600	600x1200
SL(V)80110TU	1160	1500	800x1100

DO NOT SCALE DRAWINGS, USE FIGURED DIMENSIONS

Rev. Issue / Amendment
 P1 ONLINE OVERVIEW

By App. Date
 GF 30/06/16

Client

SKYSPAN

Project
 ONLINE PRODUCT OVERVIEW

Title
 TRADITIONAL SKYLIGHT
 TILE ROOF PROFILE

Scale at A3
 / Date 30/06/16
 Drawn GF

Job No. 0001
 Drawing No. SLXXX(TU)
 Amdt. P1



© 2015 Skyspan
 All Rights Reserved
 COPYRIGHT: THE DESIGN AND DETAILS SHOWN ON THIS DRAWING ARE SPECIFIC TO THIS PROJECT ONLY AND MAY NOT BE REPRODUCED IN WHOLE OR IN PART OR BE USED FOR ANY OTHER PROJECT OR PURPOSE WITHOUT THE WRITTEN CONSENT OF EXPERT ENGINEERING PTY LTD.