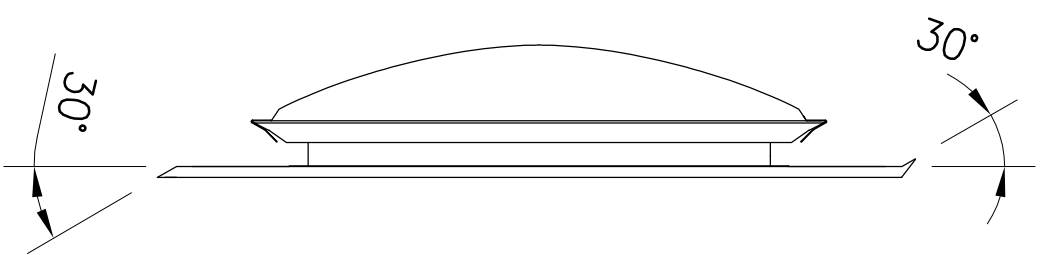
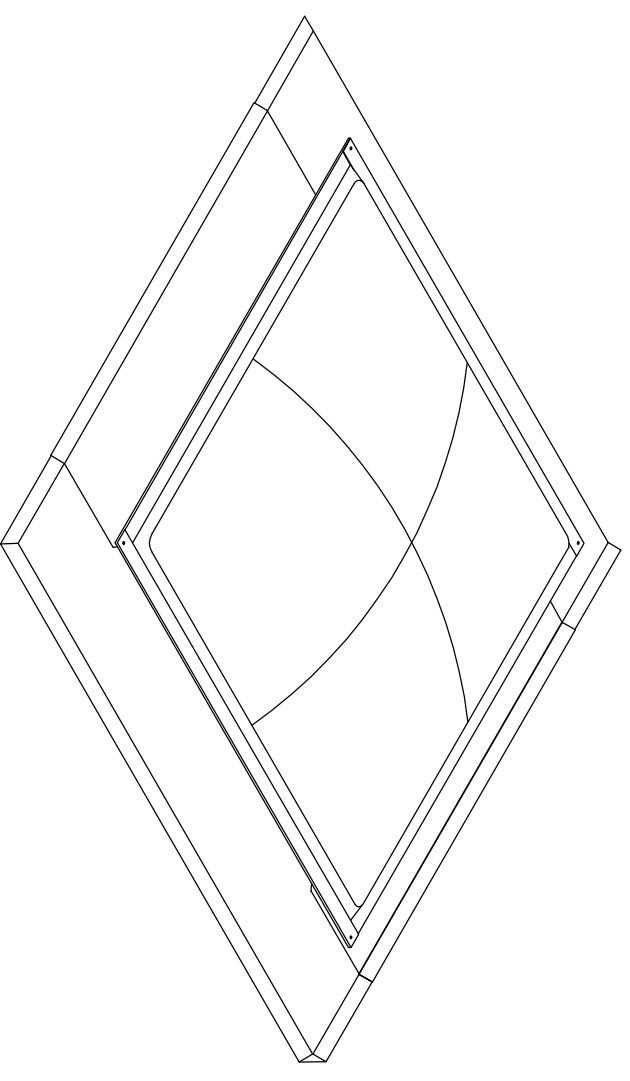


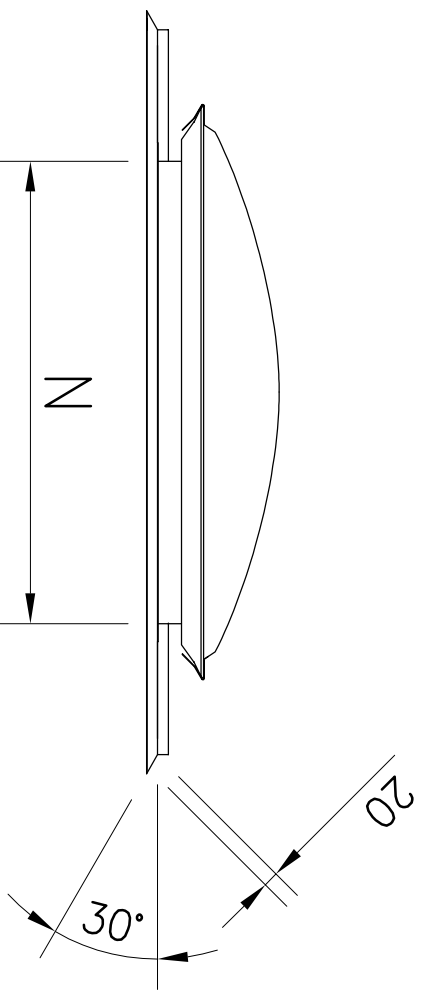
TOP VIEW



LEFT VIEW



ISOMETRIC VIEW



FRONT VIEW

LEGEND:
 A = WIDTH
 B = LENGTH
 N = NOMINAL SIZE

TRADITIONAL SKYLIGHT SQUARE corrugated roof type			
PRODUCT CODE	A (mm)	B (mm)	N (mm)
SL(V)400CT	760	760	400x400
SL(V)500CT	860	860	500x500
SL(V)600CT	960	960	600x600
SL(V)800CT	1160	1160	800x800
SL(V)900CT	1260	1260	900x900
SL(V)1000CT	1360	1360	1000x1000
SL(V)1100CT	1460	1460	1100x1100
SL(V)1200CT	1560	1560	1200x1200

TRADITIONAL SKYLIGHT RECTANGULAR corrugated roof type			
PRODUCT CODE	A (mm)	B (mm)	N (mm)
SL(V)4080CT	760	1160	400x800
SL(V)5070CT	860	1060	500x700
SL(V)50110CT	860	1460	500x1100
SL(V)4060CT	760	960	400x600
SL(V)40110CT	760	1460	400x1100
SL(V)6090CT	960	1260	600x900
SL(V)60120CT	960	1560	600x1200
SL(V)80110CT	1160	1460	800x1100

DO NOT SCALE DRAWINGS. USE FIGURED DIMENSIONS

Rev. Issue / Amendment
 P1 ONLINE OVERVIEW

By App. Date
 GF 25/05/16

Client

SKYSPAN

Project
 ONLINE PRODUCT OVERVIEW

Title
 TRADITIONAL SKYLIGHT
 CORRUGATED ROOF TYPE

Designed
 GF

Scale at A3
 Date 30/06/16
 Drawn GF

Job No.
 0001
 Drawing No.
 SLXX(CT)
 Amdt.
 P1



© 2015 Skyspan
 All Rights Reserved
 12 Tingo Road,
 Hill Top Vic
 3461
 AUSTRALIA
 COPYRIGHT: THE DESIGN AND DETAILS SHOWN ON THIS DRAWING ARE SPECIFIC TO THIS PROJECT ONLY AND MAY NOT BE REPRODUCED IN WHOLE OR IN PART OR BE USED FOR ANY OTHER PROJECT OR PURPOSE WITHOUT THE WRITTEN CONSENT OF EVENT ENGINEERING PTY LTD.