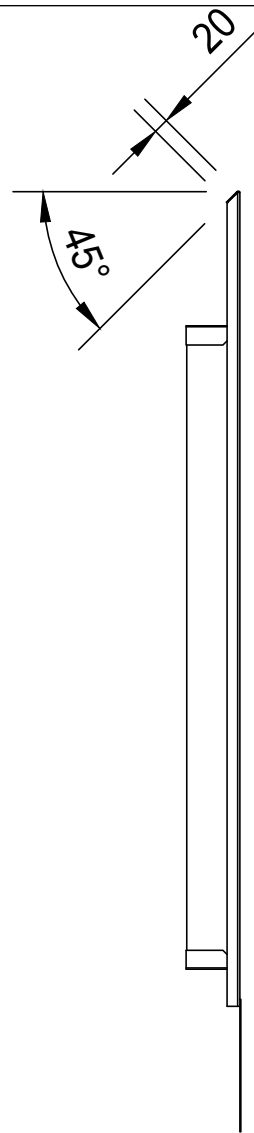
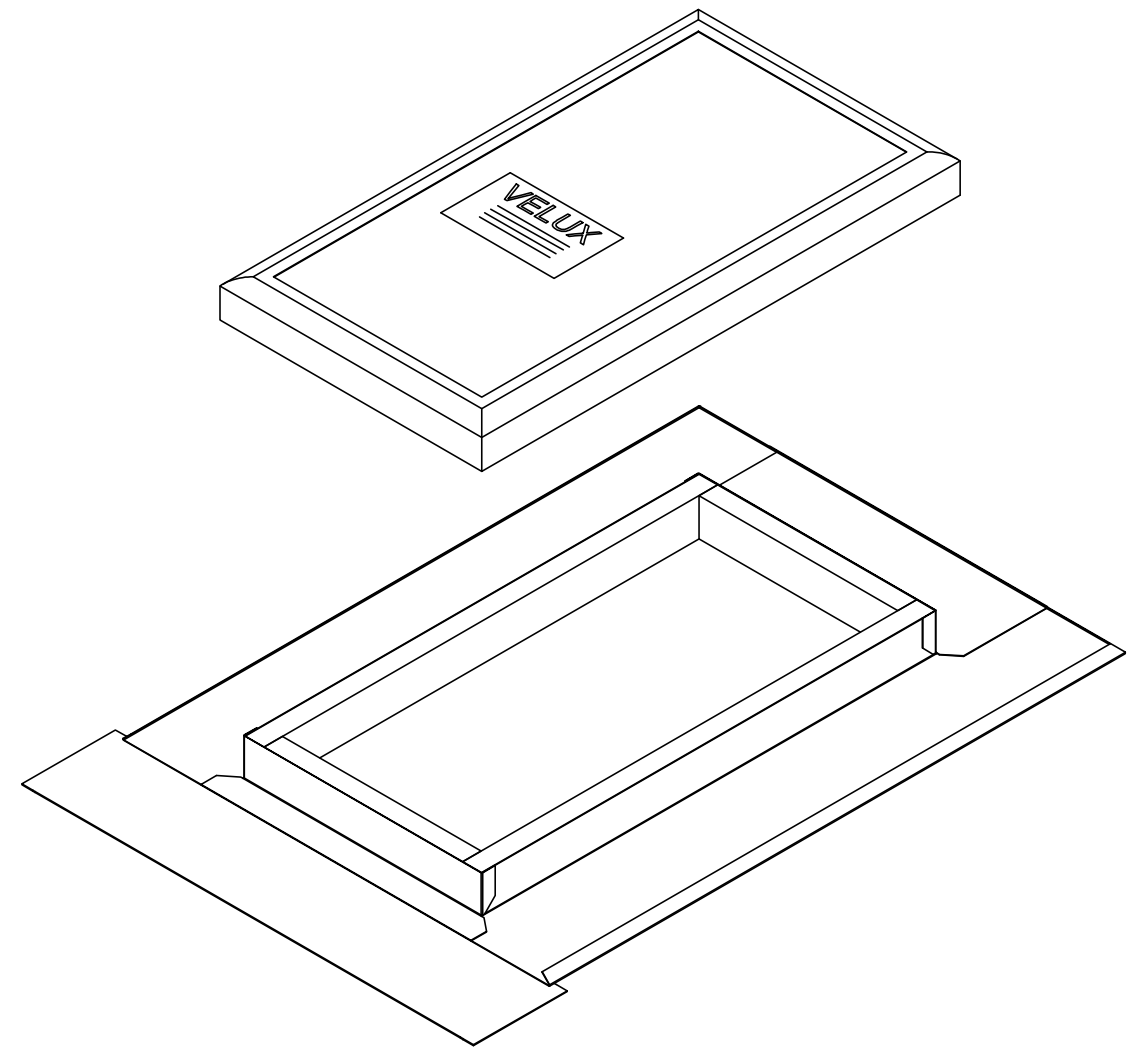


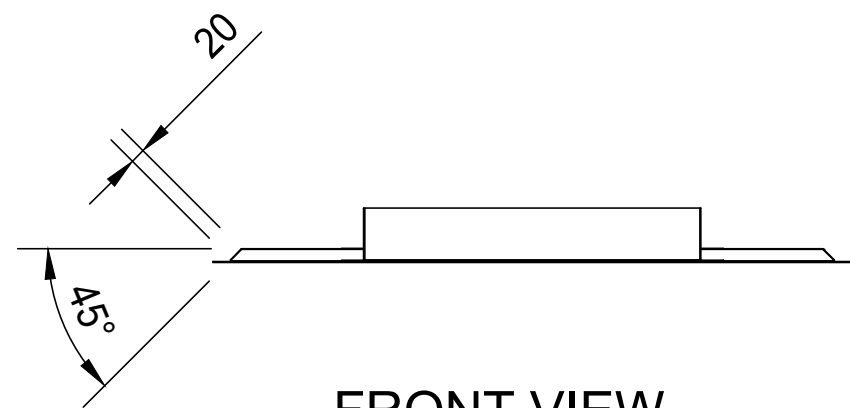
TOP VIEW



SIDE VIEW



ISOMETRIC VIEW



FRONT VIEW

| SKYSPAN CUSTOM FCM FLASHING - TILE | | | | |
|------------------------------------|--------------------|--------|--------|-----------------------------|
| SKYSPAN PRODUCT CODE | VELUX PRODUCT CODE | A (mm) | B (mm) | INNER GLASS DIMENSIONS (mm) |
| V1430TFTU | 1430 | 820 | 1270 | 368x775 |
| V2222TFTU | 2222 | 1025 | 1065 | 572x572 |
| V2230TFTU | 2230 | 1025 | 1270 | 572x775 |
| V2234TFTU | 2234 | 1025 | 1370 | 572x877 |
| V2246TFTU | 2246 | 1025 | 1675 | 572x1181 |
| V2270TFTU | 2270 | 1025 | 2285 | 572x1792 |
| V3030TFTU | 3030 | 1230 | 1270 | 775x775 |
| V3046TFTU | 3046 | 1230 | 1675 | 775x1181 |
| V3434TFTU | 3434 | 1330 | 1370 | 876x876 |
| V4646TFTU | 4646 | 1635 | 1675 | 1181x1181 |

DO NOT SCALE DRAWINGS, USE FIGURED DIMENSIONS



COPYRIGHT. THE DESIGN AND DETAILS SHOWN ON THIS DRAWING ARE SPECIFIC TO THIS PROJECT ONLY AND MAY NOT BE REPRODUCED IN WHOLE OR IN PART OR BE USED FOR ANY OTHER PROJECT OR PURPOSE WITHOUT THE WRITTEN CONSENT OF SKYSPAN AUSTRALIA PTY LTD.

| Rev. | Issue / Amendment | By | App. Date |
|------|-------------------|----|-----------|
| P1 | ONLINE OVERVIEW | KC | |

Client

Project
ONLINE PRODUCT OVERVIEW
Title
SKYSPAN CUSTOM FCM FLASHING - TILE

| | | |
|-------------|-------------|----------|
| Scale at A3 | Date | Designed |
| | 06/04/20 | RLF |
| Job No. | Drawing No. | Drawn |
| | V-TFTU | KC |
| | | Amdt. |
| | | P1 |