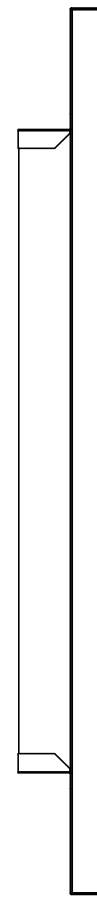
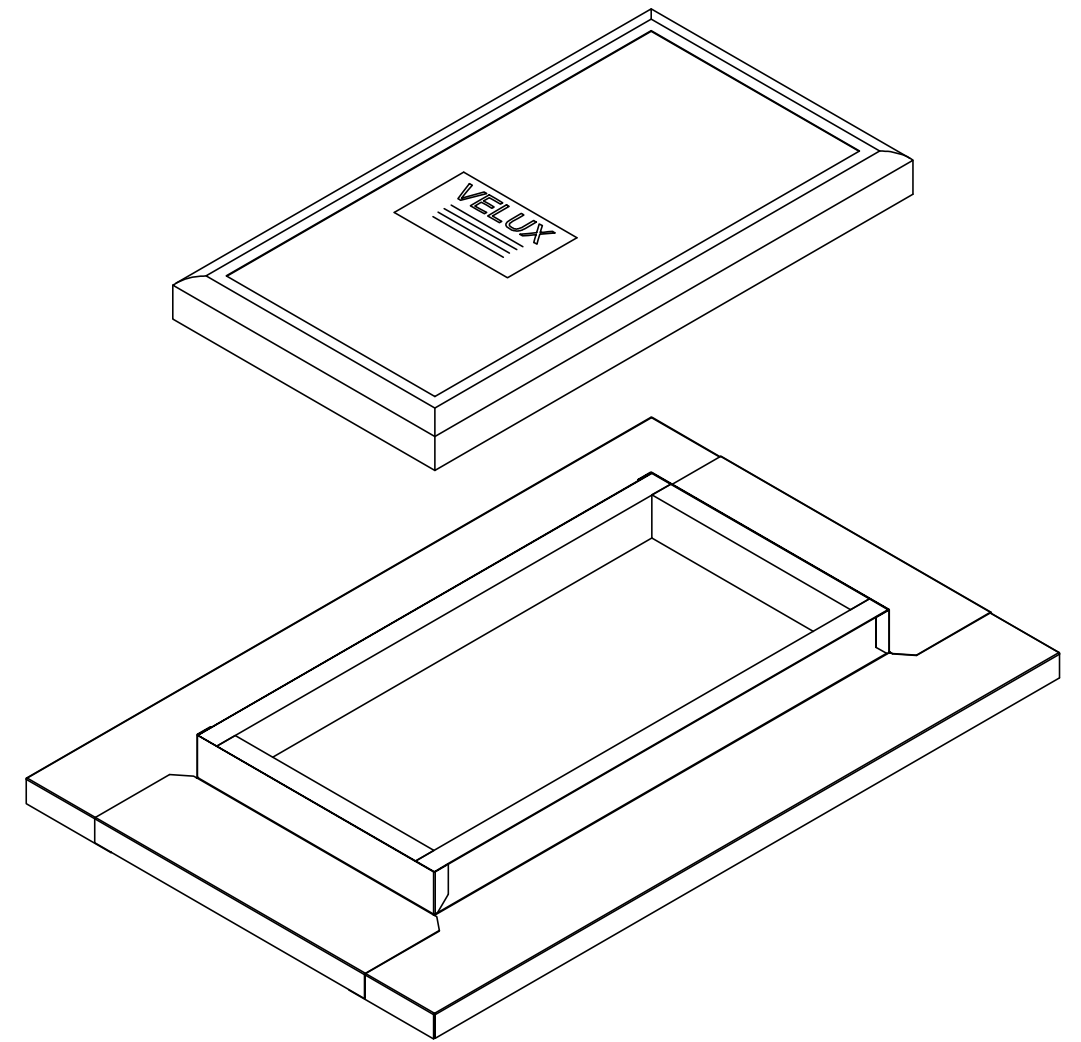


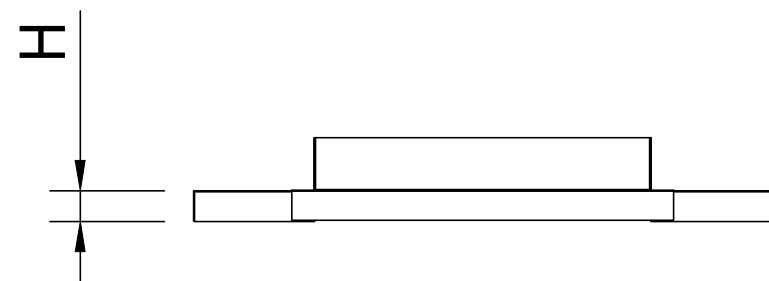
TOP VIEW



SIDE VIEW



ISOMETRIC VIEW



FRONT VIEW

LEGEND:  
 A = WIDTH  
 B = LENGTH  
 H = HEIGHT

SKYSPAN CUSTOM FCM FLASHING - KLIPLOK					
SKYSPAN PRODUCT CODE	VELUX PRODUCT CODE	A (mm)	B (mm)	H (mm)	INNER GLASS DIMENSIONS (mm)
V1430TFAU	1430	765	1171	40	368x775
V222TFAU	2222	968	968	40	572x572
V2230TFAU	2230	968	1171	40	572x775
V2234TFAU	2234	968	1272	40	572x877
V2246TFAU	2246	968	1577	40	572x1181
V2270TFAU	2270	968	2187	40	572x1792
V3030TFAU	3030	1171	1171	40	775x775
V3046TFAU	3046	1171	1577	40	775x1181
V3434TFAU	3434	1272	1272	40	876x876
V4646TFAU	4646	1577	1577	40	1181x1181

DO NOT SCALE DRAWINGS, USE FIGURED DIMENSIONS



12 Turbo Road,  
 Kings Park,  
 NSW 2148  
 © 2019 SkySpan  
 All Rights Reserved.

COPYRIGHT: THE DESIGN AND DETAILS SHOWN ON THIS DRAWING ARE SPECIFIC TO THIS PROJECT ONLY AND MAY NOT BE REPRODUCED IN WHOLE OR IN PART OR BE USED FOR ANY OTHER PROJECT OR PURPOSE WITHOUT THE WRITTEN CONSENT OF SKYSPAN AUSTRALIA PTY LTD.

Rev.	Issue / Amendment	By	App. Date
P1	ONLINE OVERVIEW	KC	18/03/19

Client

Project  
 ONLINE PRODUCT OVERVIEW

Title  
 SKYSPAN CUSTOM FCM FLASHING -  
 METALDECK KLIPLOK

Designed		
Scale at A3	Date	Drawn
	18/03/19	KC
Job No.	Drawing No.	Amdt.
	V-TFAU	P1