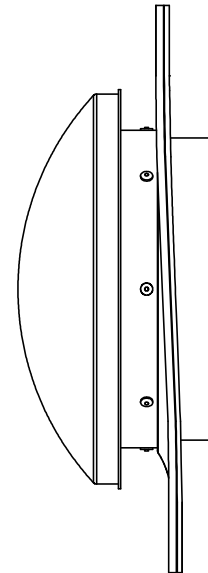
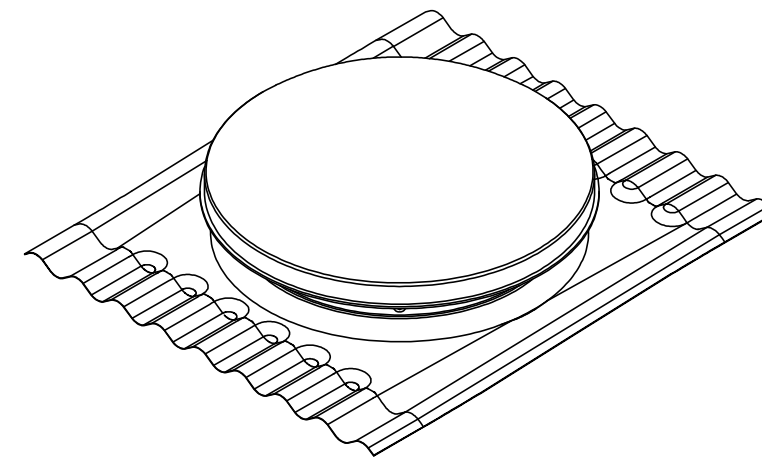


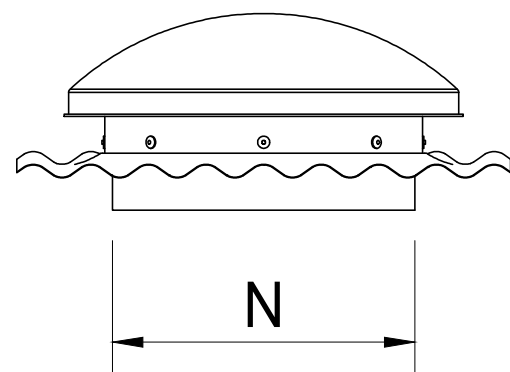
TOP VIEW



SIDE VIEW



ISOMETRIC VIEW



FRONT VIEW

SUNPIPE TUBELIGHT - CORRUGATED (VENTED)				
SKYSPAN PRODUCT CODE	A (mm)	B (mm)	NØ (mm)	VENTING SYSTEM
TLV400CSFSK	653	750	400	YES

LEGEND:
 A= WIDTH
 B= LENGTH
 N= NOMINAL SIZE

DO NOT SCALE DRAWINGS, USE FIGURED DIMENSIONS



12 Turbo Road,
Kings Park,
NSW 2148

© 2019 SkySpan
All Rights Reserved.

COPYRIGHT: THE DESIGN AND DETAILS SHOWN ON THIS DRAWING ARE SPECIFIC TO THIS PROJECT ONLY AND MAY NOT BE REPRODUCED IN WHOLE OR IN PART OR BE USED FOR ANY OTHER PROJECT OR PURPOSE WITHOUT THE WRITTEN CONSENT OF SKYSPAN AUSTRALIA PTY LTD.

Rev.	Issue / Amendment	By	App. Date
P1	ONLINE OVERVIEW	KC	19/03/19

Client

Project
ONLINE PRODUCT OVERVIEW

Title
SUNPIPE TUBELIGHT - CORRUGATED
(VENTED)

		Designed RLF
Scale at A3	Date 19/03/19	Drawn KC
Job No.	Drawing No. TLV-CS	Amdt. P1