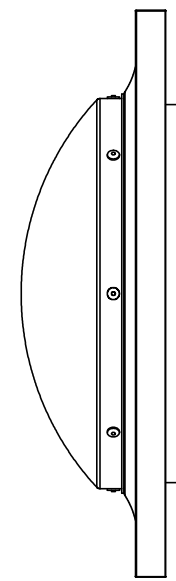
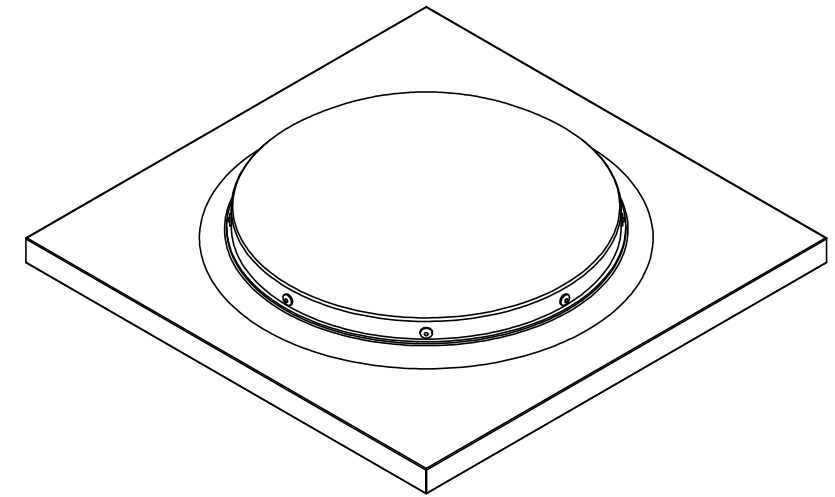


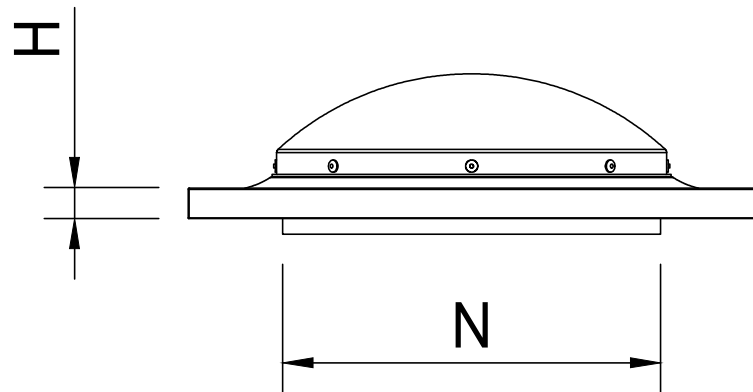
TOP VIEW



SIDE VIEW



ISOMETRIC VIEW



FRONT VIEW

LEGEND:

- A= WIDTH
- B= LENGTH
- H= HEIGHT
- N= NOMINAL SIZE

SUNPIPE TUBELIGHT METAL DECK - KLIPLOK					
SKYSPAN PRODUCT CODE	A (mm)	B (mm)	H (mm)	NØ (mm)	VENTING SYSTEM
TL300AUFSK	550	550	40	300	NO
TL400AUFSK	650	650	40	400	NO
TL500AUFSK	750	750	40	500	NO

DO NOT SCALE DRAWINGS, USE FIGURED DIMENSIONS



12 Turbo Road,
Kings Park,
NSW 2148
© 2019 SkySpan
All Rights Reserved.

COPYRIGHT: THE DESIGN AND DETAILS SHOWN ON THIS DRAWING ARE SPECIFIC TO THIS PROJECT ONLY AND MAY NOT BE REPRODUCED IN WHOLE OR IN PART OR BE USED FOR ANY OTHER PROJECT OR PURPOSE WITHOUT THE WRITTEN CONSENT OF SKYSPAN AUSTRALIA PTY LTD.

Rev.	Issue / Amendment	By	App. Date
P1	ONLINE OVERVIEW	KC	19/03/19

Client

Project
ONLINE PRODUCT OVERVIEW

Title
SUNPIPE TUBELIGHT METAL DECK - KLIPLOK

Designed RLF	
Scale at A3	Date 19/03/19
Job No.	Drawing No. TL-AU_K
Drawn KC	Amdt. P1