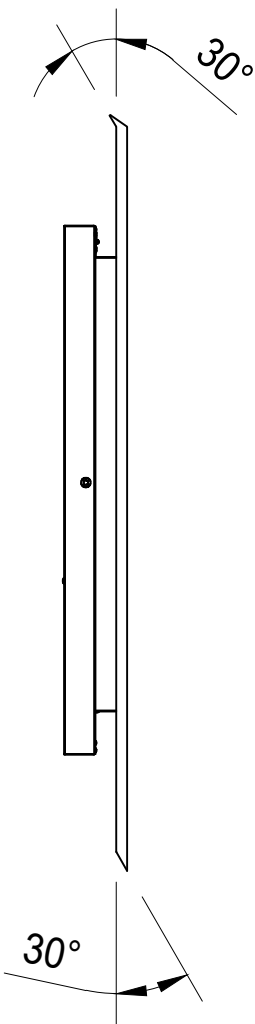
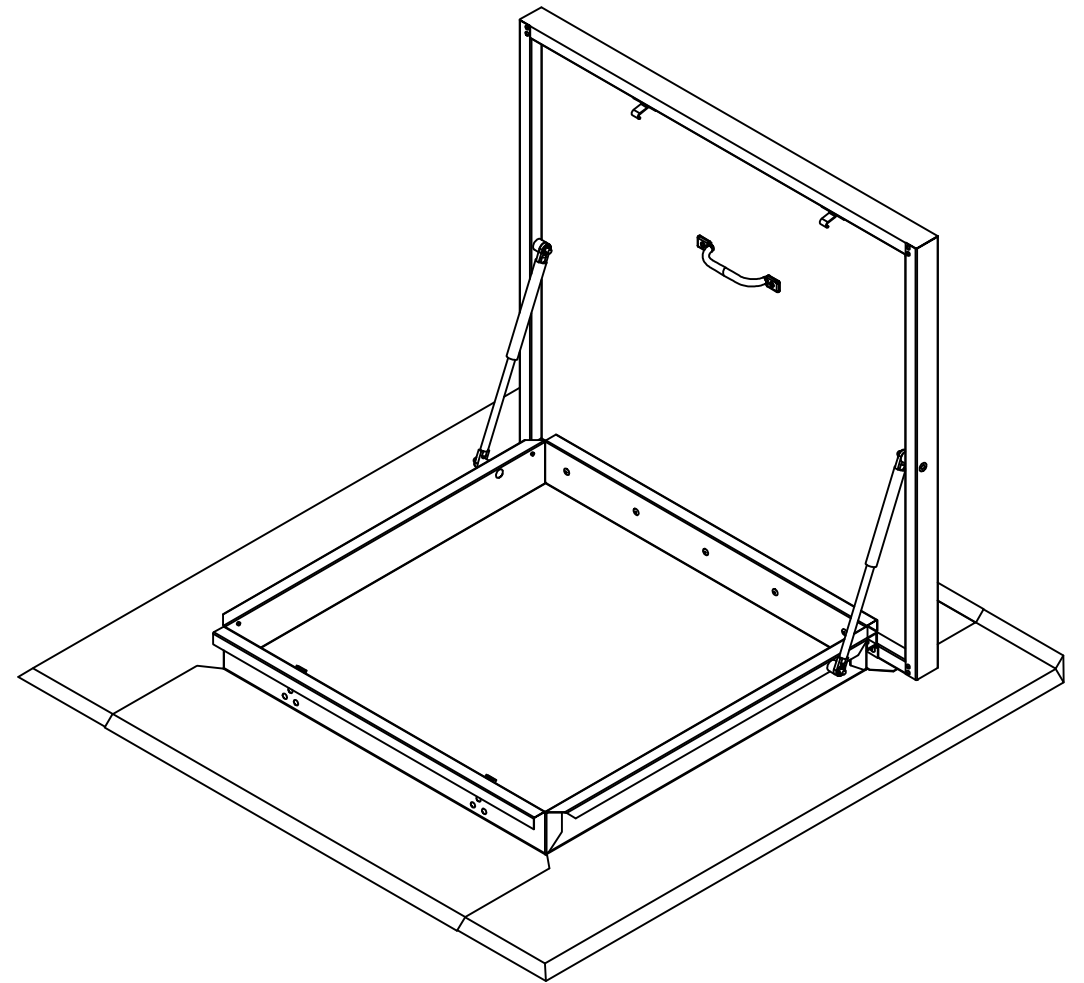


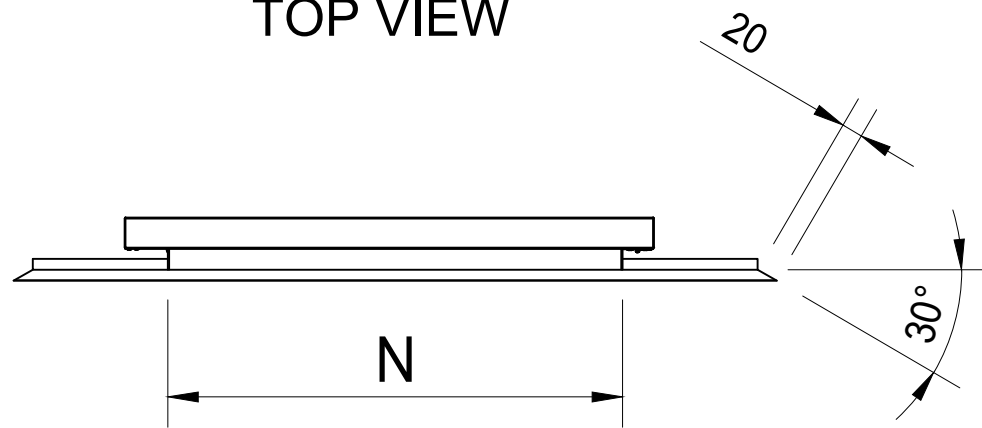
TOP VIEW



SIDE VIEW



ISOMETRIC VIEW



FRONT VIEW

LEGEND:

- A= WIDTH
- B= LENGTH
- H= HEIGHT
- N= NOMINAL SIZE

METAL HATCH - CORRUGATED (SQUARE)			
PRODUCT CODE	A (mm)	B (mm)	N (mm)
MH600CT	960	960	600x600
MH800CT	1160	1160	800x800
MH900CT	1260	1260	900x900
MH1000CT	1360	1360	1000x1000

METAL HATCH - CORRUGATED (RECTANGULAR)			
PRODUCT CODE	A (mm)	B (mm)	N (mm)
MH5070CT	860	1060	500x700
MH50110CT	860	1460	500x1100
MH6090CT	960	1260	600x900
MH60120CT	960	1560	600x1200
MH80110CT	1160	1460	800x1100
MH90120CT	1260	1560	900x1200

DO NOT SCALE DRAWINGS, USE FIGURED DIMENSIONS



12 Turbo Road,
Kings Park,
NSW 2148
© 2019 SkySpan
All Rights Reserved.

COPYRIGHT: THE DESIGN AND DETAILS SHOWN ON THIS DRAWING ARE SPECIFIC TO THIS PROJECT ONLY AND MAY NOT BE REPRODUCED IN WHOLE OR IN PART OR BE USED FOR ANY OTHER PROJECT OR PURPOSE WITHOUT THE WRITTEN CONSENT OF SKYSPAN AUSTRALIA PTY LTD.

Rev.	Issue / Amendment	By	App. Date
P1	ONLINE OVERVIEW	KC	22/03/19

Client

Project
ONLINE PRODUCT OVERVIEW

Title
METAL HATCH - CORRUGATED

		Designed RLF
Scale at A3	Date 22/03/19	Drawn KC
Job No.	Drawing No. MH-CT	Amdt. P1