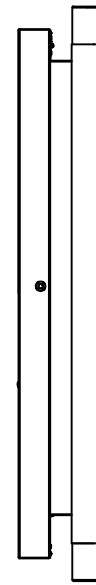
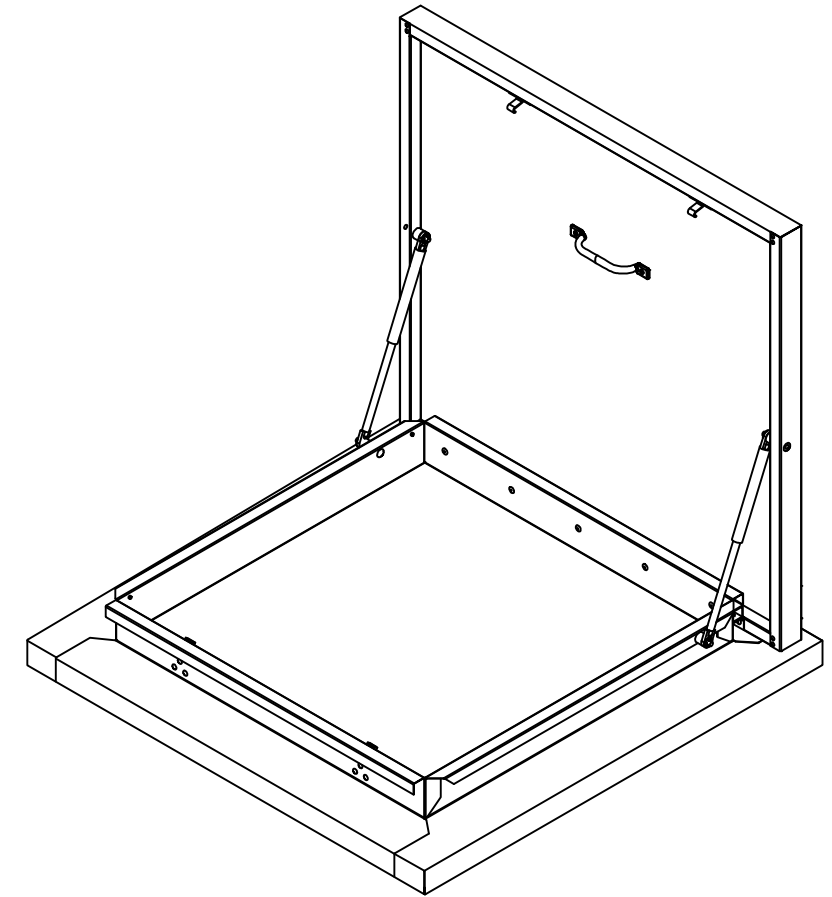


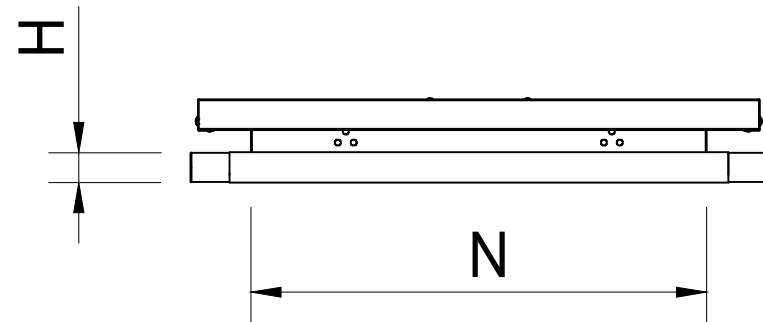
TOP VIEW



SIDE VIEW



ISOMETRIC VIEW



FRONT VIEW

**LEGEND:**  
 A= WIDTH  
 B= LENGTH  
 H= HEIGHT  
 N= NOMINAL SIZE

METAL HATCH METALDECK- AU_STD (SQUARE)				
PRODUCT CODE	A (mm)	B (mm)	H (mm)	N (mm)
MH600AU	760	760	40	600x600
MH800AU	960	960	40	800x800
MH900AU	1060	1060	40	900x900
MH1000AU	1160	1160	40	1000x1000

METAL HATCH METALDECK- AU_STD (RECTANGULAR)				
PRODUCT CODE	A (mm)	B (mm)	H (mm)	N (mm)
MH5070AU	660	860	40	500x700
MH50110AU	660	1260	40	500x1100
MH6090AU	760	1060	40	600x900
MH60120AU	760	1360	40	600x1200
MH80110AU	960	1260	40	800x1100
MH90120AU	1060	1360	40	900x1200

DO NOT SCALE DRAWINGS, USE FIGURED DIMENSIONS



12 Turbo Road,  
Kings Park,  
NSW 2148

© 2019 SkySpan  
All Rights Reserved.

COPYRIGHT: THE DESIGN AND DETAILS SHOWN ON THIS DRAWING ARE SPECIFIC TO THIS PROJECT ONLY AND MAY NOT BE REPRODUCED IN WHOLE OR IN PART OR BE USED FOR ANY OTHER PROJECT OR PURPOSE WITHOUT THE WRITTEN CONSENT OF SKYSPAN AUSTRALIA PTY LTD.

Rev.	Issue / Amendment	By	App. Date
P1	ONLINE OVERVIEW	KC	06/05/19

Client

Project  
ONLINE PRODUCT OVERVIEW

Title  
METAL HATCH METALDECK- AU\_STD

Designed RLF	
Scale at A3	Date 06/05/19
Job No.	Drawing No. MH-AU-STD
Drawn KC	
Amdt. P1	