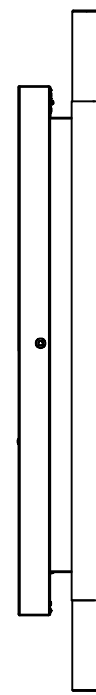
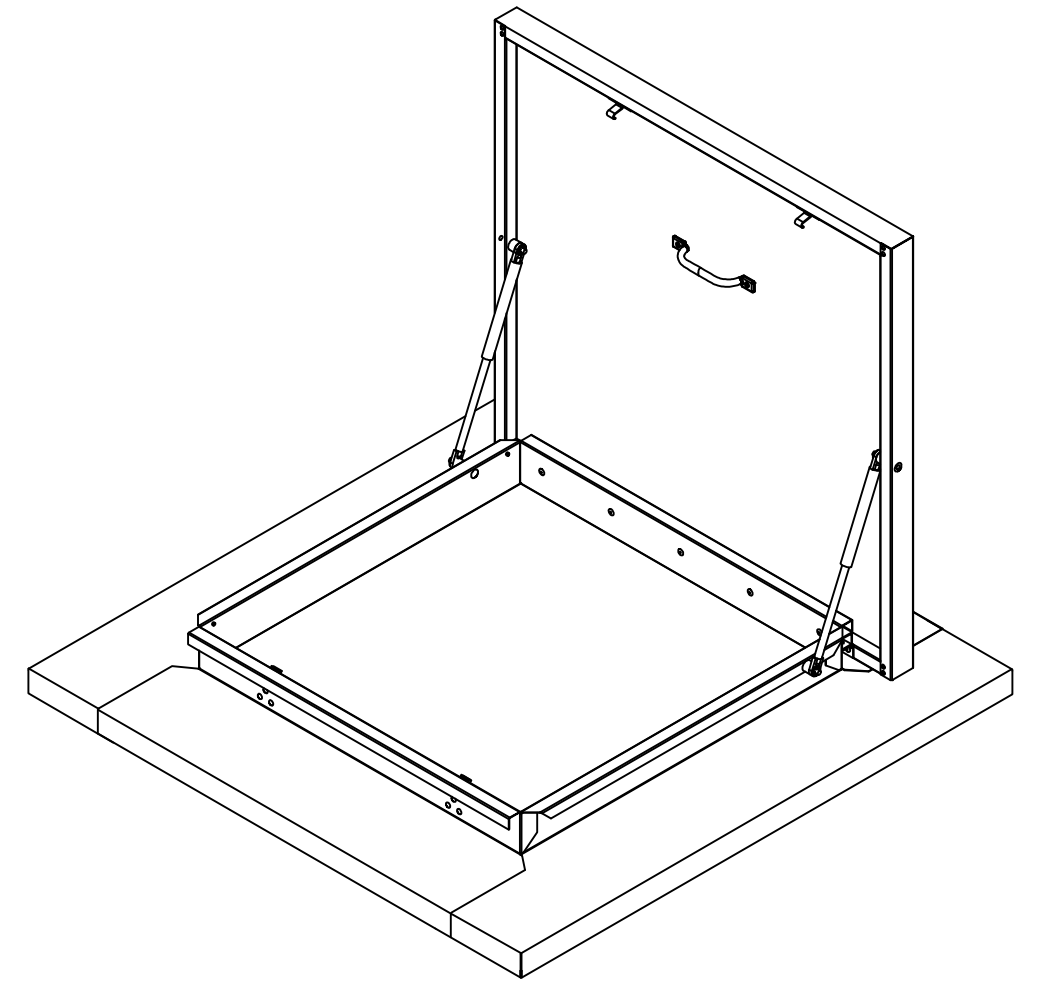


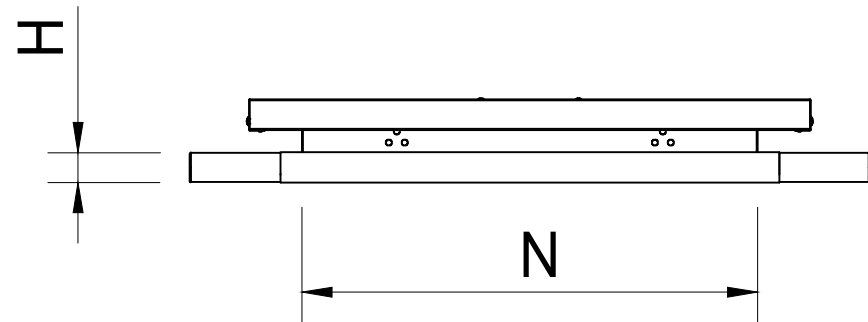
TOP VIEW



SIDE VIEW



ISOMETRIC VIEW



FRONT VIEW

LEGEND:
 A= WIDTH
 B= LENGTH
 H= HEIGHT
 N= NOMINAL SIZE

METAL HATCH METALDECK- KLIPLOK (SQUARE)				
PRODUCT CODE	A (mm)	B (mm)	H (mm)	N (mm)
MH600AU	900	900	40	600x600
MH800AU	1100	1100	40	800x800
MH900AU	1200	1200	40	900x900
MH1000AU	1300	1300	40	1000x1000

METAL HATCH METALDECK- KLIPLOK (RECTANGULAR)				
PRODUCT CODE	A (mm)	B (mm)	H (mm)	N (mm)
MH5070AU	800	1000	40	500x700
MH50110AU	800	1400	40	500x1100
MH6090AU	900	1200	40	600x900
MH60120AU	900	1500	40	600x1200
MH80110AU	1100	1400	40	800x1100
MH90120AU	1200	1500	40	900x1200

DO NOT SCALE DRAWINGS, USE FIGURED DIMENSIONS



12 Turbo Road,
Kings Park,
NSW 2148

© 2019 SkySpan
All Rights Reserved.

COPYRIGHT: THE DESIGN AND DETAILS SHOWN ON THIS DRAWING ARE SPECIFIC TO THIS PROJECT ONLY AND MAY NOT BE REPRODUCED IN WHOLE OR IN PART OR BE USED FOR ANY OTHER PROJECT OR PURPOSE WITHOUT THE WRITTEN CONSENT OF SKYSPAN AUSTRALIA PTY LTD.

Rev.	Issue / Amendment	By	App. Date
P1	ONLINE OVERVIEW	KC	20/03/19

Client

Project
ONLINE PRODUCT OVERVIEW

Title
METAL HATCH METALDECK- KLIPLOK

Designed	RLF
Scale at A3	Date 20/03/19
Job No.	Drawing No. MH-AU-K
Drawn	Amdt. P1