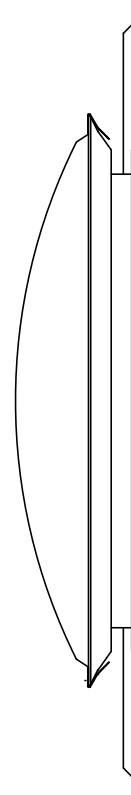
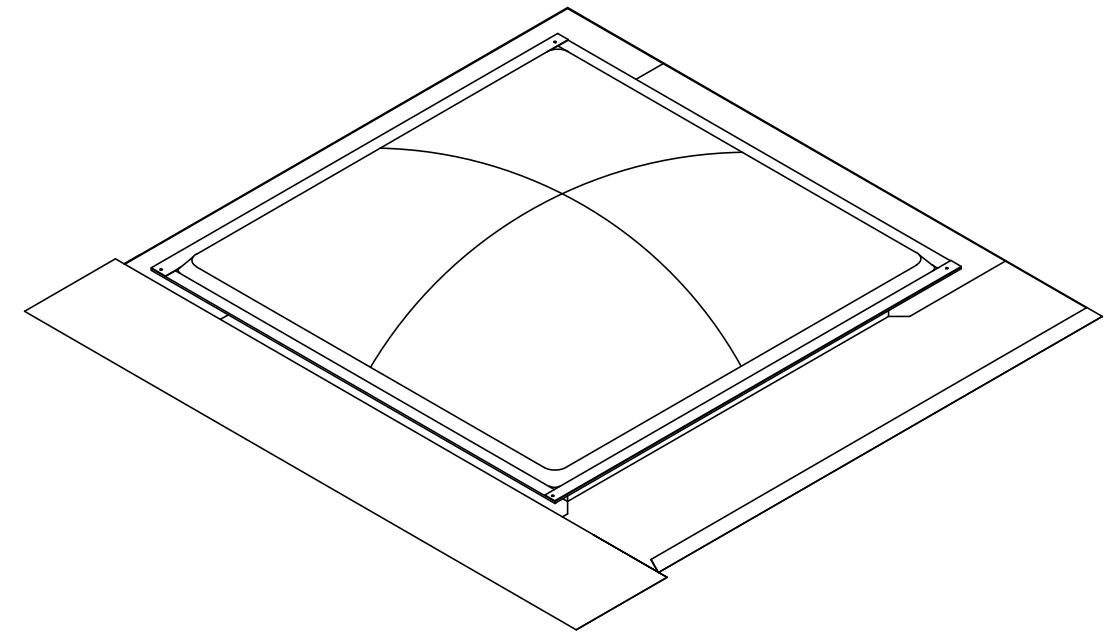


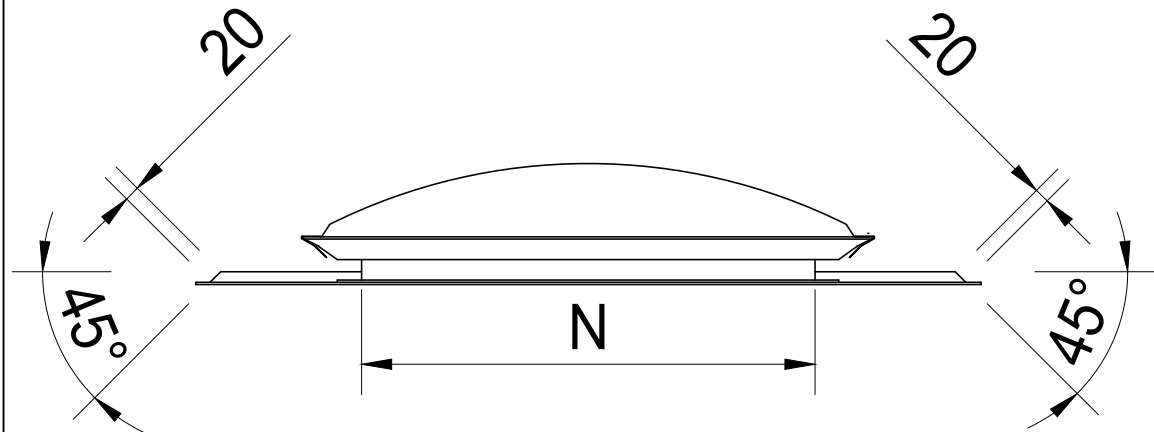
TOP VIEW



LEFT VIEW



ISOMETRIC VIEW



**LEGEND:**  
 A= WIDTH  
 B= LENGTH  
 N= NOMINAL SIZE

TRADITIONAL SKYLIGHT - TILE (SQUARE)			
PRODUCT CODE	A (mm)	B (mm)	N (mm)
SL(V)400TU	800	800	400x400
SL(V)500TU	900	900	500x500
SL(V)600TU	1000	1000	600x600
SL(V)650TU	1050	1050	650x650
SL(V)800TU	1200	1200	800x800
SL(V)900TU	1300	1300	900x900
SL(V)1000TU	1400	1400	1000x1000
SL(V)1100TU	1500	1500	1100x1100
SL(V)1200TU	1600	1600	1200x1200
SL(V)1500TU	1900	1900	1500x1500
SL(V)1800TU	2200	2200	1800x1800

TRADITIONAL SKYLIGHT - TILE (RECTANGULAR)			
PRODUCT CODE	A (mm)	B (mm)	N (mm)
SL(V)4060TU	800	1000	400x600
SL(V)4080TU	800	1200	400x800
SL(V)40110TU	800	1500	400x1100
SL(V)5070TU	900	1100	500x700
SL(V)5080TU	900	1200	500x800
SL(V)50110TU	900	1500	500x1100
SL(V)50140TU	900	1800	500x1400
SL(V)6090TU	1000	1300	600x900
SL(V)50120TU	1000	1600	600x1200
SL(V)65110TU	1050	1500	650x1100
SL(V)80110TU	1200	1500	800x1100
SL(V)80140TU	1200	1800	800x1400
SL(V)90120TU	1300	1600	900x1200
SL(V)90150TU	1300	1900	900x1500

DO NOT SCALE DRAWINGS, USE FIGURED DIMENSIONS



12 Turbo Road,  
 Kings Park,  
 NSW 2148  
 © 2019 SkySpan  
 All Rights Reserved.

COPYRIGHT: THE DESIGN AND DETAILS SHOWN ON THIS DRAWING ARE SPECIFIC TO THIS PROJECT ONLY AND MAY NOT BE REPRODUCED IN WHOLE OR IN PART OR BE USED FOR ANY OTHER PROJECT OR PURPOSE WITHOUT THE WRITTEN CONSENT OF SKYSPAN AUSTRALIA PTY LTD.

Rev.	Issue / Amendment	By	App. Date
P1	ONLINE OVERVIEW	KC	21/03/19

Client

Project  
 ONLINE PRODUCT OVERVIEW

Title  
 TRADITIONAL SKYLIGHT - TILE

Designed RLF	
Scale at A3	Date 21/03/19
Job No.	Drawing No. SL-TU
Amdt. P1	