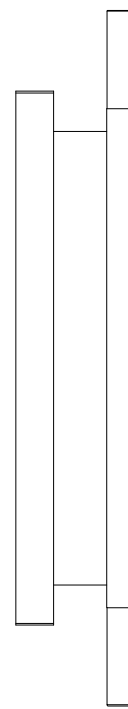
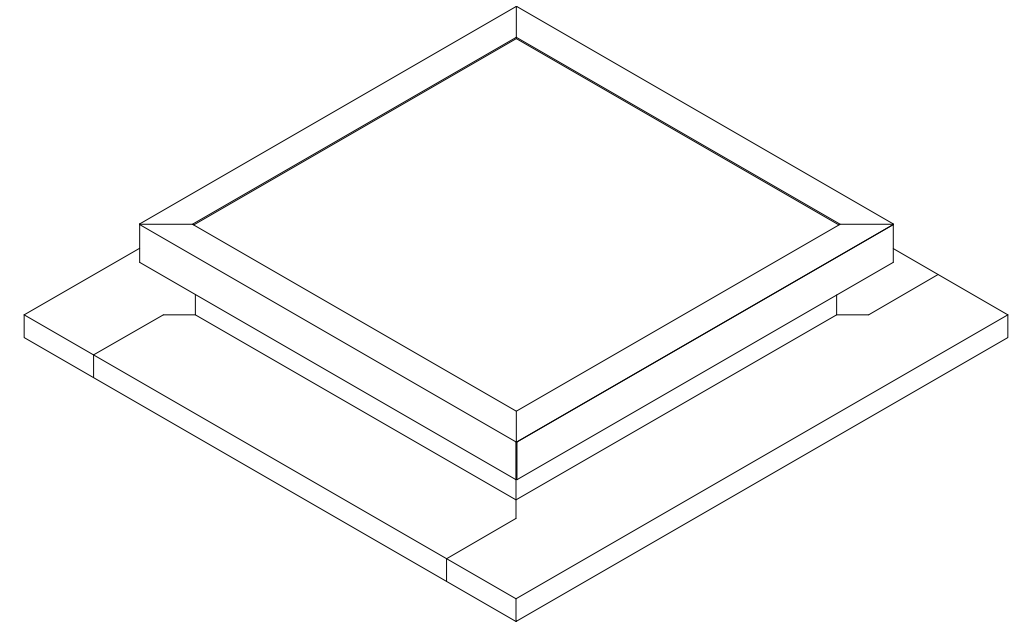


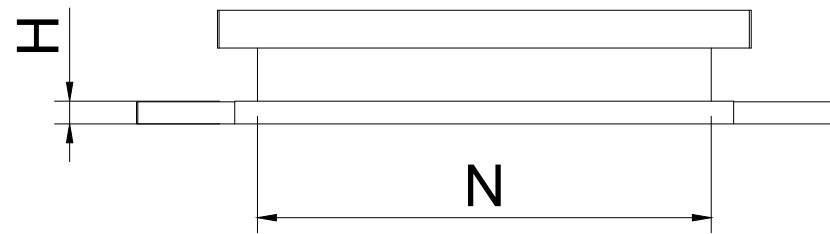
TOP VIEW



LEFT VIEW



ISOMETRIC VIEW



FRONT VIEW

LEGEND:
 A = WIDTH
 B = LENGTH
 H = HEIGHT
 N = NOMINAL SIZE

SKYWINDOWS FIXED DOUBLE GLAZED - TRIMDEK (SQUARE)				
PRODUCT CODE	A (mm)	B (mm)	H (mm)	N (mm)
GSL400AU-DG	720	720	30	400 x 400
GSL500AU-DG	820	820	30	500 x 500
GSL600AU-DG	920	920	30	600 x 600
GSL800AU-DG	1120	1120	30	800 x 800
GSL900AU-DG	1220	1220	30	900 x 900
GSL1000AU-DG	1320	1320	30	1000 x 1000
GSL1100AU-DG	1420	1420	30	1100 x 1100
GSL1200AU-DG	1520	1520	30	1200 x 1200

SKYWINDOW FIXED DOUBLE GLAZED - TRIMDEK (RECTANGULAR)				
PRODUCT CODE	A (mm)	B (mm)	H (mm)	N (mm)
GSL4060AU-DG	720	920	30	400 x 600
GSL4080AU-DG	720	1120	30	400 x 800
GSL40110AU-DG	720	1420	30	400 x 1100
GSL5070AU-DG	820	1020	30	500 x 700
GSL50110AU-DG	820	1420	30	500 x 1100
GSL50140AU-DG	820	1720	30	500 x 1400
GSL6090AU-DG	920	1220	30	600 x 900
GSL60120AU-DG	920	1520	30	600 x 1200
GSL80110AU-DG	1120	1420	30	800 x 1100
GSL80140AU-DG	1120	1720	30	800 x 1400

DO NOT SCALE DRAWINGS, USE FIGURED DIMENSIONS



12 Turbo Road,
Kings Park,
NSW 2148
© 2019 SkySpan
All Rights Reserved.

COPYRIGHT: THE DESIGN AND DETAILS SHOWN ON THIS DRAWING ARE SPECIFIC TO THIS PROJECT ONLY AND MAY NOT BE REPRODUCED IN WHOLE OR IN PART OR BE USED FOR ANY OTHER PROJECT OR PURPOSE WITHOUT THE WRITTEN CONSENT OF SKYSPAN AUSTRALIA PTY LTD.

Rev.	Issue / Amendment	By	App. Date
P1	ONLINE OVERVIEW	KC	22/03/19

Client

Project
ONLINE PRODUCT OVERVIEW

Title
SKYWINDOW FIXED DOUBLE GLAZED - TRIMDEK

Designed RLF	
Scale at A3	Date 22/03/19
Job No.	Drawing No. GSL_AU-T-DG
Drawn KC	
Amdt. P1	