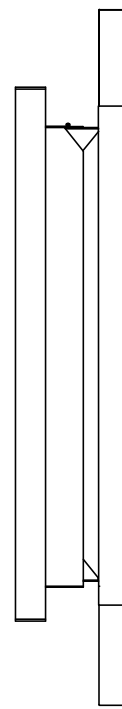
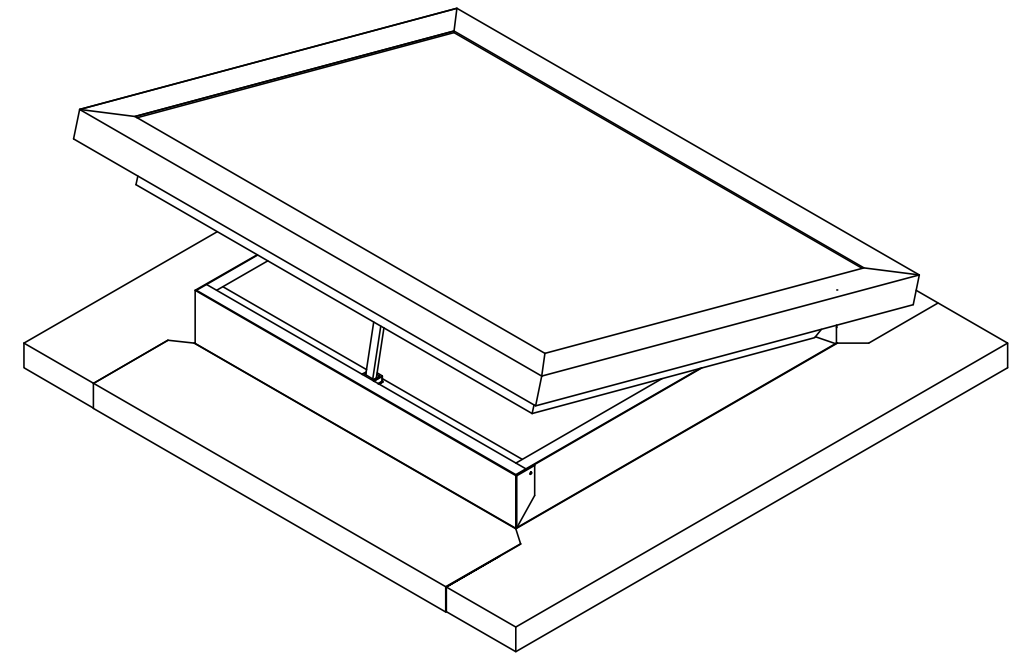


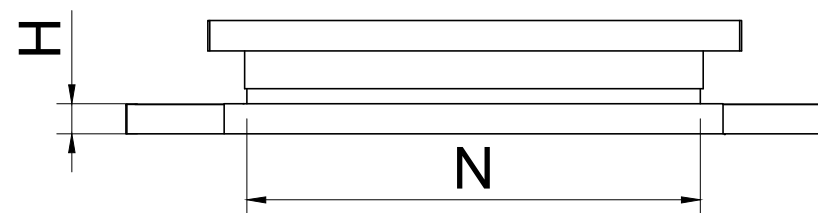
TOP VIEW



LEFT VIEW



ISOMETRIC VIEW



FRONT VIEW

**LEGEND:**  
 A = WIDTH  
 B = LENGTH  
 H = HEIGHT  
 N = NOMINAL SIZE

SKYWINDOW OPENING SINGLE GLAZED - TRIMDEK (SQUARE)				
PRODUCT CODE	A (mm)	B (mm)	H (mm)	N (mm)
GSW400AU-SG	720	720	40	400 x 400
GSW500AU-SG	820	820	40	500 x 500
GSW600AU-SG	920	920	40	600 x 600
GSW800AU-SG	1120	1120	40	800 x 800
GSW900AU-SG	1220	1220	40	900 x 900
GSW1000AU-SG	1320	1320	40	1000 x 1000
GSW1100AU-SG	1420	1420	40	1100 x 1100
GSW1200AU-SG	1520	1520	40	1200 x 1200

SKYWINDOW OPENING SINGLE GLAZED - TRIMDEK (RECTANGULAR)				
PRODUCT CODE	A (mm)	B (mm)	H (mm)	N (mm)
GSW4080AU-SG	720	920	40	400 x 600
GSW4060AU-SG	720	1120	40	400 x 800
GSW40110AU-SG	720	1420	40	400 x 1100
GSW5070AU-SG	820	1020	40	500 x 700
GSW50110AU-SG	820	1420	40	500 x 1100
GSW50140AU-SG	820	1720	40	500 x 1400
GSW6090AU-SG	920	1200	40	600 x 900
GSW60120AU-SG	920	1520	40	600 x 1200
GSW80110AU-SG	1120	1420	40	800 x 1100
GSW80140AU-SG	1120	1720	40	800 x 1400

DO NOT SCALE DRAWINGS, USE FIGURED DIMENSIONS



12 Turbo Road,  
Kings Park,  
NSW 2148  
© 2019 SkySpan  
All Rights Reserved.

COPYRIGHT: THE DESIGN AND DETAILS SHOWN ON THIS DRAWING ARE SPECIFIC TO THIS PROJECT ONLY AND MAY NOT BE REPRODUCED IN WHOLE OR IN PART OR BE USED FOR ANY OTHER PROJECT OR PURPOSE WITHOUT THE WRITTEN CONSENT OF SKYSPAN AUSTRALIA PTY LTD.

Rev.	Issue / Amendment	By	App. Date
P1	ONLINE OVERVIEW	KC	15/03/19

Client

Project  
ONLINE PRODUCT OVERVIEW

Title  
SKYWINDOW OPENING SINGLE GLAZED - TRIMDEK

Designed RLF	
Scale at A3	Date 15/03/19
Job No.	Drawing No. GSW-AU_T-SG
Amdt. P1	