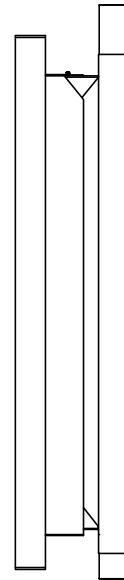
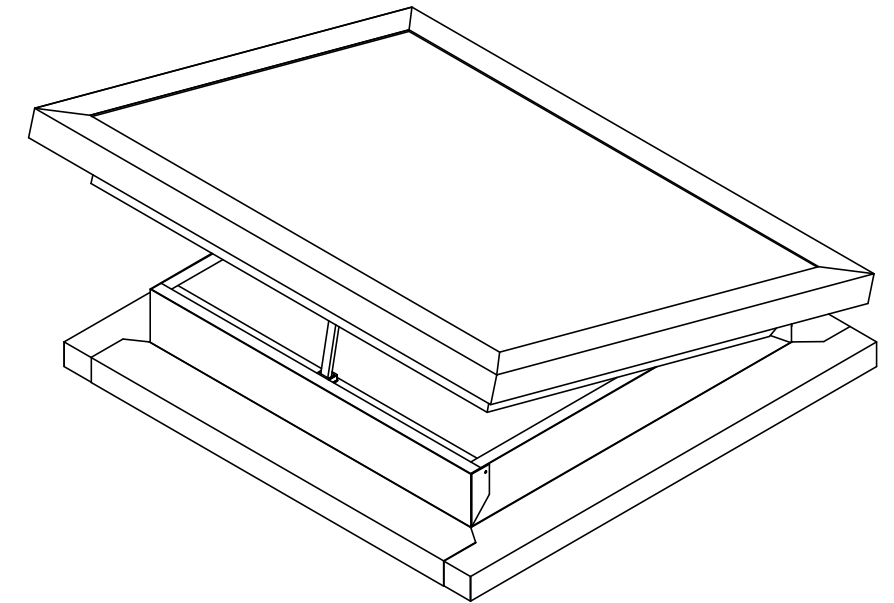


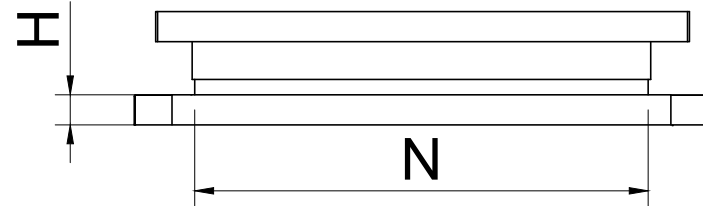
TOP VIEW



LEFT VIEW



ISOMETRIC VIEW



FRONT VIEW

LEGEND:
 A = WIDTH
 B = LENGTH
 H = HEIGHT
 N = NOMINAL SIZE

SKYWINDOWS OPENING SINGLE GLAZED - STANDARD (SQUARE)				
PRODUCT CODE	A (mm)	B (mm)	H (mm)	N (mm)
GSW400AU-SG	560	560	40	400 x 400
GSW500AU-SG	660	660	40	500 x 500
GSW600AU-SG	760	760	40	600 x 600
GSW800AU-SG	960	960	40	800 x 800
GSW900AU-SG	1060	1060	40	900 x 900
GSW1000AU-SG	1160	1160	40	1000 x 1000
GSW1100AU-SG	1260	1260	40	1100 x 1100
GSW1200AU-SG	1360	1360	40	1200 x 1200

SKYWINDOWS OPENING SINGLE GLAZED - STANDARD (RECTANGULAR)				
PRODUCT CODE	A (mm)	B (mm)	H (mm)	N (mm)
GSW4080AU-SG	560	760	40	400 x 600
GSW4060AU-SG	560	960	40	400 x 800
GSW40110AU-SG	560	1260	40	400 x 1100
GSW5070AU-SG	660	860	40	500 x 700
GSW50110AU-SG	660	1260	40	500 x 1100
GSW50140AU-SG	660	1560	40	500 x 1400
GSW6090AU-SG	760	1060	40	600 x 900
GSW60120AU-SG	760	1360	40	600 x 1200
GSW80110AU-SG	960	1260	40	800 x 1100
GSW80140AU-SG	960	1560	40	800 x 1400

DO NOT SCALE DRAWINGS, USE FIGURED DIMENSIONS



12 Turbo Road,
 Kings Park,
 NSW 2148
 © 2019 SkySpan
 All Rights Reserved.

COPYRIGHT: THE DESIGN AND DETAILS SHOWN ON THIS DRAWING ARE SPECIFIC TO THIS PROJECT ONLY AND MAY NOT BE REPRODUCED IN WHOLE OR IN PART OR BE USED FOR ANY OTHER PROJECT OR PURPOSE WITHOUT THE WRITTEN CONSENT OF SKYSPAN AUSTRALIA PTY LTD.

Rev.	Issue / Amendment	By	App. Date
P1	ONLINE OVERVIEW	KC	15/03/19

Client

Project
 ONLINE PRODUCT OVERVIEW

Title
 SKYWINDOW OPENING SINGLE GLAZED - STANDARD

Designed RLF	
Scale at A3 /	Date 15/03/19
Job No. GSW-AU_STD-SG	Drawn KC Amdt. P1